

S-40 Series Spot Arrays employ a round or 'spot' design providing light from a specific direction onto the field of view. The direction of the illumination is dependent upon the mounting position. S-40 Series modules may be used as dark-field (creating shadows and specular reflection), or as bright-field for diffused surfaces. S-40 focused models have a concentrating lens designed for a 75mm stand-off.



MODEL #	DESCRIPTION
010-651201	S-40, B LED-ND, 12V-C
010-651202	S-40, B LED-ND, 24V-S
010-651200	S-40, W LED-ND, 12V-C
010-651204	S-40, W LED-ND, 24V-S
010-651211	S-40, W LED-D, 24V-S
010-651206	S-40, W LED-F, 24V-S, FL=75mm
010-650302	S-40, R LED-ND, 12V-C
010-650304	S-40, R LED-ND, 24V-S
010-650323	S-40, R LED-ND, 24V-C, w/flying leads
010-650301	S-40, R LED-D, 12V-C ¹
010-650305	S-40, R LED-D, 24V-S
010-650320	S-40, R LED-D, 24V-C, w/flying leads ¹
010-650306	S-40, R LED-F, 12V-C, FL=75mm ¹
010-650322	S-40, R LED-F, 24V-C, FL=75mm, w/flying leads ¹
010-650324	S-40, R LED-F, 24V-S, FL=75mm
010-650309	S-40, I LED-ND, 12V-C

Description Key			
Example: AR-00x00, R LED-D, 12V-C			
Family Designation	Color	Source	Voltage (DC)
Array Size (mm - approx.)	R = Red W = White B = Blue G = Green I = Infrared U = Ultraviolet	FO = Fiber Optic FL = Fluorescent LED = Light Emitting Diode	C = Continuous S = Strobe
			Delivery: D = Diffused ND = Non-Diffused F = Focused

MECHANICAL:

OD x H (mm/in.):

38.1 mm x 54.2 mm
(1.50 in. x 2.14 in.)

Mounting:

Housing Material:

(1) 10-32 stud on top of unit

Weight:

Black Anodized Aluminum
227 grams (8 oz.)

ENVIRONMENTAL:

Max. Operating Humidity

95% non-condensing

Operating Temp.

40° C (104° F)¹

Storage Temp.

50° C (122° F)

ILLUMINATION & ELECTRICAL:

Lighting Technique: Dark-field or Bright-field

Light Output Area: 31.8 mm (1.25 in.)

Light Characteristics:

Source	Color (nm)	Exp. Life	Voltage/Current (max.)		
			12V-C	24V-C	24V-S
LED	Red (636)	60k hrs. ¹	75 mA	240 mA	600 mA, 1msec pulse @ 60HZ
LED	White - 6500 Kelvin	10k hrs. ¹	100 mA	n/a	1A, 1msec pulse @ 60HZ
LED	Blue (470)	10k hrs. ¹	100 mA	n/a	1A, 1msec pulse @ 60HZ
LED	Infrared (940)	50k hrs. ¹	60 mA	n/a	n/a

CE Conformity: Yes

¹ Continuous power models with lenses (diffused or focused) run hot. To maximize product life, external cooling (e.g. fan and/or reduced ambient temperature) is required.

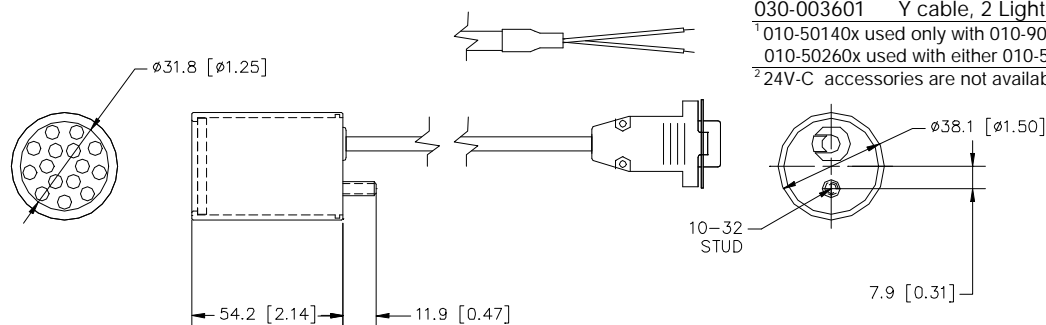
ACCESSORIES:

Part #	Description	Models Used On
010-901900	SCM-2, 2 Channel Strobe Cntrl.	24V-S
010-501402	CPS-24, 24VDC, US cord	24V-S ¹
010-501401	CPS-24, 24VDC, EU cord	24V-S ¹
010-502601	CPS-24T, 24VDC US w/9-pin D-sub	24V-C & 24V-S ^{1,2}
010-502602	CPS-24T, 24VDC EU w/9-pin D-sub	24V-C & 24V-S ^{1,2}
010-500301	CPS-12 3.5A, 12VDC, US Cord	12V-C
010-500303	CPS-12 3.5A, 12VDC, EU Cord	12V-C
010-502700	ICM-1, M/D Intensity Cntrl, 12V-C	12V-C
010-502701	ICM-1, M/D Intensity Cntrl, 24V-C	24V-C ²
010-502702	SCM-1, 1 Channel M/D Strobe Cntrl.	24V-S
010-501200	VPS, Variable, US Cord	12V-C
010-501201	VPS-EU, Variable, EU Cord	12V-C
030-003700	Ext. Cable, Cont., 1.8 M (6 ft.)	12V-C
030-003701	Ext. Cable, Cont., 3.0 M (10 ft.)	12V-C
030-007006	Ext. Cable, Strobe, 1.8 M (6 ft.)	24V-S
030-007010	Ext. Cable, Strobe, 3.0 M (10 ft.)	24V-S
030-006900	Y cable, 2 Lights, 9 pin D-sub Strb.	24V-S
030-003601	Y cable, 2 Lights, 9 pin D-sub Cont.	12V-C & 24V-C

¹ 010-50140x used only with 010-901900;

010-50260x used with either 010-502702 or 24V-C lights with DB-9 connectors

² 24V-C accessories are not available for "Flying Leads" configurations



CABLES/CONNECTORS:

	Connector	Length	Pin#	1	2	3	4	5	6	7	8	9
12V-C Models	9 pin D-sub Male	1.8 M (6 ft.)		n/a	n/a	GND	+12VDC	n/a	n/a	n/a	n/a	n/a
24V-S Models	9 pin D-sub Male	1.8 M (6 ft.)		V-	n/a	n/a	+24VDC	n/a	n/a	n/a	n/a	n/a
24V-C Models¹	n/a (flying leads)	4.5 M (15 ft.)		GND	+24VDC							

¹ Note: 24V Cont. Models w/"Flying Leads"; leads are labeled GND and V+ (+24VDC)



Products are protected under US Patent #'s:
5,461,417; 5,187,611; 5,539,485; 5,301,402;
5,604,550; 5,684,530; 5,713,661

All RVSI/NER Products come with an Industry-Leading 2-Year Warranty