

# NERLITE®

## CDI®-175/125-FO

**PART NUMBER:** 010-250200

**PRODUCT DESCRIPTION:** The CDI-175/125-FO (Cloudy Day Illuminator®), is ideal for illuminating uneven, specular surfaces. The CDI provides outstanding uniformity, up to  $\pm 10\%$  maximum deviation within the field of view. The unit requires a fiber optic source.

### ILLUMINATION:

**Lighting Technique:** Continuous Diffuse  
**Source Type:** Fiber Optic  
**Spectrum:** Source dependent  
**Light Delivery:** Diffused  
**Light Aperture:** 130 mm (5.25 in.)  
**Suggested Field Of View:** 120 mm (5 in.)  
**Suggested Stand-Off:** 12 mm (0.5 in.)

### MECHANICAL:

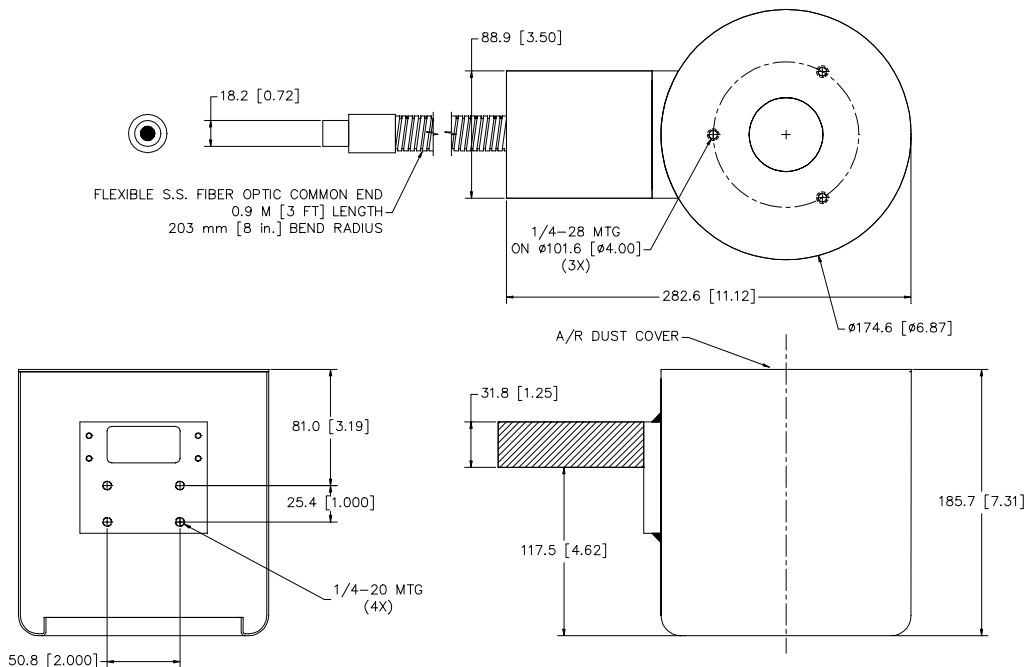
**L x W x H:** 282.6 mm x 174.6 mm x 185.7 mm  
(11.12 in x 6.87 in. x 7.31 in.)  
**Mounting:** (4) ¼-20  
**Housing Material:** Black Anodized Aluminum  
**Weight:** 3.1 kg (6.8 lbs.)  
**Accepts Ferrule Ø:** 18.2 mm (0.72 in.)

### ENVIRONMENTAL:

**Max. Operating Humidity:** 95% non-condensing  
**Operating Temp.:** 40°C (104°F)  
**Storage Temp.:** 50°C (122°F)

### ACCESSORIES:

Part Number	Description
238-001000	CS-1, AC Light source
238-001100	CS-2, DC Regulated light source



Products are protected under US Patent #s; 5,461,417;  
5,187,611; 5,539,485; 5,301,402; 5,604,550;  
5,684,530; 5,713,661

NER Document: CU-010-250200 - Revised: 03/12/99