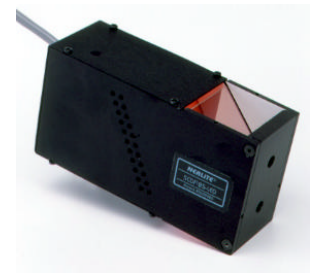


SCDI-25-LED Series models provide continuous diffuse illumination in the same optical path as the camera. They are designed for applications that have uneven specular surfaces requiring uniform lighting.



MODEL #	DESCRIPTION
010-301300	SCDI-25, R LED-D, 12V-C w/9 pin D-sub
010-301301	SCDI-25, R LED-D, 24V-S w/9 pin D-sub
010-301302	SCDI-25, W LED-D, 24V-C w/"Flying Leads"
010-301303	SCDI-25, R LED-D, 24V-S w/"Flying Leads", 636nm
010-301304	SCDI-25, R LED-D, 24V-S w/"Flying Leads", 630nm

Description Key			
Example: SCDI-xx, R LED-D, 12V-C			
Family Designation	Color	Source	Voltage (DC)
Aperture (mm - approx)	R = Red W = White B = Blue G = Green I = Infrared U = Ultraviolet	FO = Fiber Optic FL = Fluorescent LED = Light Emitting Diode	C = Continuous S = Strobe
			Delivery: D = Diffused ND = Non-Diffused F = Focussed

ILLUMINATION & ELECTRICAL:

Lighting Technique:	Square Continuous Diffuse
Light Aperture:	25 mm x 25 mm (1.0 in. x 1.0 in.)
Field Of View x Stand-Off ¹:	12 mm (0.5 in.) x 25 mm (1.0 in.)
Light Characteristics:	

Source	Color (nm)	Exp. Life	Voltage/Current (max.)		
			12V-C	24V-C	24V-S
LED	Red (636)	60k hrs.	420 mA	n/a	1.8 A pk.
LED	Red (630)	50k hrs.	n/a	n/a	1.8 A pk.
LED	White - 6500 Kelvin	10k hrs.	n/a	260 mA	n/a

¹Suggested

CE Conformity: Yes

MECHANICAL:

L x W x H (mm/in.):	115.3 mm x 40.1 mm x 61.3 mm (4.54 in. x 1.58 in. x 2.41 in.)
Mounting:	(2) M6
Housing Material:	Black Anodized Aluminum
Weight:	255 grams (9.0 oz.)

ENVIRONMENTAL:

Max. Operating Humidity	95% non-condensing
Operating Temp.	40° C (104° F)
Storage Temp.	50° C (122° F)

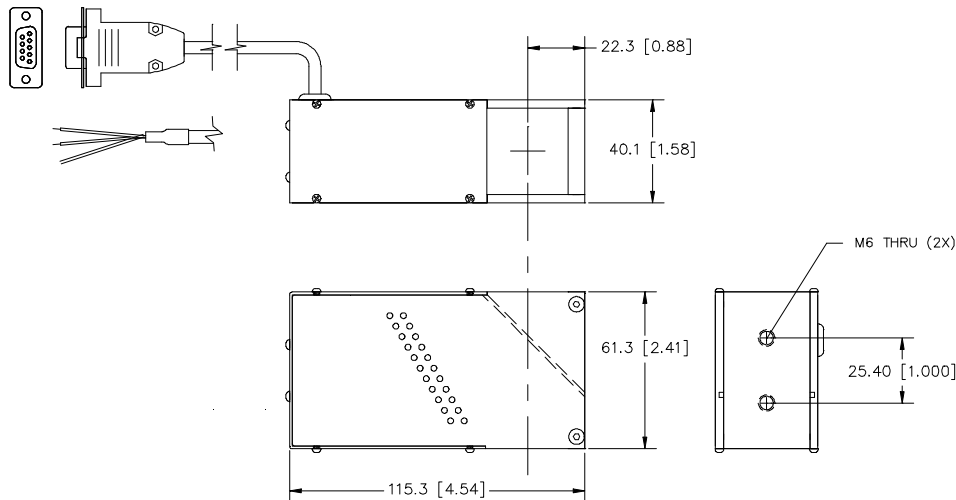
ACCESSORIES:

Part #	Description	Models Used On
010-901900	SCM-2 Channel Strobe Control	24V-S ²
010-501402	CPS-24, 24VDC, US cord	24V-S ¹
010-501401	CPS-24, 24VDC, EU cord	24V-S ¹
010-502601	CPS-24T, 24VDC US w/9-pin D-sub	24V-C & 24V-S ^{1, 2}
010-502602	CPS-24T, 24VDC EU w/9-pin D-sub	24V-C & 24V-S ^{1, 2}
010-500301	CPS-12 3.5A, 12VDC, US Cord	12V-C
010-500303	CPS-12 3.5A, 12VDC, EU Cord	12V-C
010-502702	SCM-1 Channel M/D Strobe Control	24V-S ²
030-003700	Ext. Cable, Cont., 1.8 M (6 ft.)	12V-C
030-003701	Ext. Cable, Cont., 3.0 M (10 ft.)	12V-C
030-007006	Ext. Cable, Strobe, 1.8 M (6 ft.)	24V-S ²
030-007010	Ext. Cable, Strobe, 3.0 M (10 ft.)	24V-S ²
030-006900	Y cable, 2 Lights, 9 pin D-sub Strb.	24V-S ²
030-003601	Y cable, 2 Lights, 9 pin D-sub Cont.	12V-C & 24V-C ²

¹ 010-50140x used only with 010-901900;

² 010-50260x used with either 010-502702 or 24V-C lights with DB-9 connectors

² No accessories are available for or compatible with "Flying Leads" configurations



CABLES/CONNECTORS:

Connector	Length	Pin#	1	2	3	4	5	6	7	8	9
12V-C Models	9 pin D-sub Male	0.5 M (18 in.)	n/a	n/a	GND	+12VDC	n/a	n/a	n/a	n/a	n/a
24V-S Models ¹	9 pin D-sub Male	2.0 M (6.6 ft.)	V-	n/a	n/a	+24VDC	n/a	n/a	n/a	n/a	n/a
24V-C Models ¹	n/a (flying leads) ¹	4.5 M (15.0 ft.)	n/a	n/a	n/a	n/a	n/a	n/a	n/a	n/a	n/a

¹Note: 24V-C & 24V-S Models w/"Flying Leads" have a 4.5 M (15 ft.) cable with two (2) tinned leads plus a shield (no connector); leads are labeled GND and V+ (+24VDC) on 24V-C models and V- and V+ (+24VDC) on 24V-S models.



Products are protected under US Patent #'s:
5,461,417; 5,187,611; 5,539,485; 5,301,402;
5,604,550; 5,684,530; 5,713,661

All RVSI/NER Products come with an Industry-Leading 2-Year Warranty