

Part Number: 010-001702
010-001700

MAXlite-75-LED Red Strobe
MAXlite-75-LED Red Continuous

Product Description: The MAXlite-75-LED (Multi-Axis Illuminator) is designed for applications requiring a combination of lighting geometries. Square Continuous Diffuse (SCDI®) and dark-field illumination are combined in one package with the MAXlite-75-LED. Integration is simplified through the use of a single lighting unit that employs multiple lighting techniques to address a variety of demanding applications. Integrate NER's Strobe Control Module (SCM) with the MAXlite-75-LED Red Strobe, or configure one of NER's continuous or variable intensity power supplies with the MAXlite-75-LED Red Continuous. When configured with a variable intensity supply, each light axis is individually adjustable by a potentiometer or controllable by the vision system through an analog input.

ILLUMINATION:

Lighting Technique: Multi-Axis (SCDI and DF ring)
Source Type: Red LED
Spectrum: 636 nm
Expected Life: 60,000 hours
Light Delivery: Diffused and Dark-field
Light Aperture: 101.6 mm (4 in.)
Suggested Field Of View: 38 mm (1.5 in.)
Suggested Stand-Off: 12 mm (0.47 in.)

MECHANICAL:

L x W x H: 161.8 mm x 139.7 mm x 102.9 mm
(6.37 in. x 5.50 in. 4.05 in.)
Mounting: (4) M6
Weight: 642 grams (23 oz.)
Housing Material: Black Anodized Aluminum

ENVIRONMENTAL:

Max. Operating Humidity: 95% non-condensing
Operating Temp.: 40° C (104° F)
Storage Temp.: 50° C (122° F)

ELECTRICAL:

Input Voltage (max.):

12V Continuous Models 12VDC
 24V Strobe Models 24VDC

Input Current (max.):

| LED Color | Voltage | 12VDC Cont. | 24VDC Strobe |
|-----------|---------|-------------|--------------|
| Red | | 2.2A | 12.8 A pk. |

Cable Length:

12V Continuous Models 1.8 M (6 ft.)
 24V Strobe Models n/a (no cable provided; select from accessory list below)

Connector:

CE Conformity:

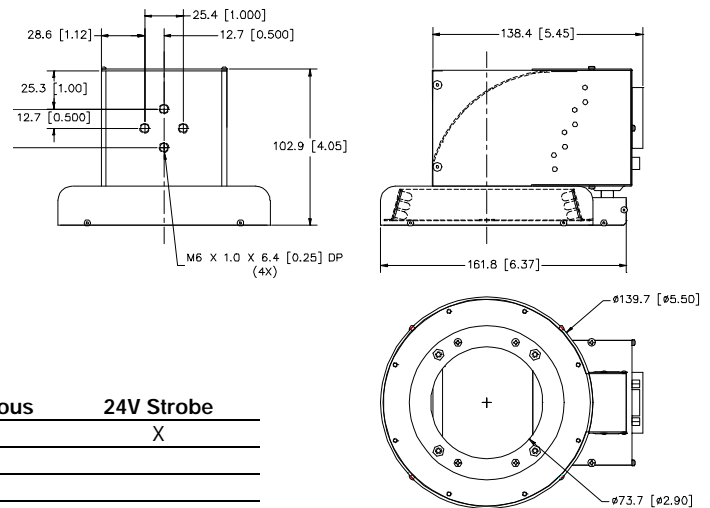
9 pin D-subminiature Male
 Yes

ACCESSORIES:

| Part # | Description | Models Used On: | 12V Continuous | 24V Strobe |
|------------|---|-----------------|----------------|------------|
| 010-901900 | SCM-2, Strobe Control Module | | | X |
| 010-500301 | CPS-12 3.5A, 12VDC, US Cord | | X | |
| 010-500303 | CPS-12 3.5A, 12VDC, EU Cord | | X | |
| 010-501200 | VPS-US, Variable, US Cord | | X | |
| 010-501201 | VPS-EU, Variable, EU Cord | | X | |
| 030-003700 | Extension Cable, Continuous, 1.8 M (6 ft.) | | X | |
| 030-003701 | Extension Cable, Continuous, 3.0 M (10 ft.) | | X | |
| 030-018000 | Cable, SCM-2 to MAXlite | | | X |
| 030-007006 | Extension Cable, Strobe, 1.8 M (6 ft.) | | | X |
| 030-007010 | Extension Cable, Strobe, 3.0 M (10 ft.) | | | X |

CABLE PINOUT:

| Model | Pin# | 1 | 2 | 3 | 4 | 5 | 6 | 7 | 8 | 9 |
|-----------------------|------|------------|---------|-----|-------------|-------------|---------|-----|-----|-----|
| 12V Continuous Models | | FAN +12VDC | FAN GND | GND | RING +12VDC | SCDI +12VDC | n/a | n/a | n/a | n/a |
| 24V Strobe Models | | SCDI V- | n/a | n/a | SCDI +24VDC | RING +24VDC | RING V- | n/a | n/a | n/a |



Products are protected under US Patent #s;
 5,461,417; 5,187,611; 5,539,485; 5,301,402;
 5,604,550; 5,684,530; 5,713,661

All RVS I/NER Products come with an Industry-Leading 2-Year Warranty