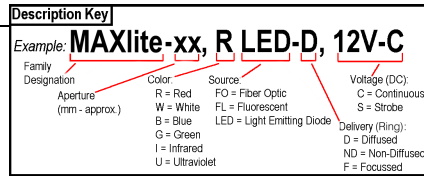


MAXlite-50 Multi-Axis Illuminators are designed for applications requiring a combination of lighting geometries. The MAXlite combines on-axis and dark field in one package, simplifying integration by allowing one lighting unit to address a variety of applications. MAXlites can be used with continuous or variable power supplies. With variable intensity, each axis is individually adjustable by a potentiometer or controllable by the vision system through an analog input.



MODEL #	DESCRIPTION
010-002100	MAXlite-50, R LED-D, 12V-C, 6' cable
010-002103	MAXlite-50, R LED-D, 24V-C
010-002101	MAXlite-50, R LED-D, 12V-C, 8' cable
010-002102	MAXlite-50, R LED-D, 24V-S
010-008600	MAXlite-50, W LED-D, 12V-C



ILLUMINATION & ELECTRICAL:

Lighting Technique: Multi-axis
Light Aperture: 50 mm x 50 mm (2 in. x 2 in.)
Field Of View x Stand-Off¹: 25.4 mm (1 in.) x 25.4 mm (1 in.)
Light Characteristics:

Source	Color (nm)	Exp. Life	Voltage/Current (max.)		
			12V-C	24V-C	24V-S
LED	Red (636)	60k hrs.	660 mA	300 mA	4.5 A Peak
LED	White - 6500 Kelvin	10k hrs.	720mA	n/a	n/a

¹Suggested

CE Conformity: Yes

MECHANICAL:

L x W x H (mm/in.): 119.1 mm x 92.1 mm x 67.1 mm (4.69 in. x 3.63 in. x 2.64 in.)
Mounting: (6) M6
Housing Material: Black Anodized Aluminum
Weight: 481 grams (17 oz.)

ENVIRONMENTAL:

Max. Operating Humidity: 95% non-condensing
Operating Temp. 40° C (104° F)
Storage Temp. 50° C (122° F)

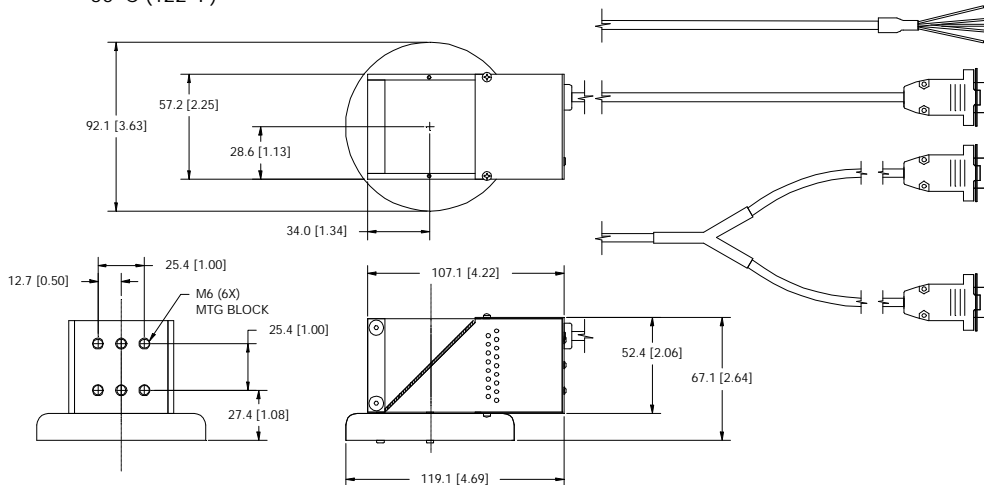
ACCESSORIES:

Part #	Description	Models Used On
010-901900	SCM-2, 2 Channel Strobe Control	24V-S
010-501402	CPS-24, 24VDC, US cord	24V-S ¹
010-501401	CPS-24, 24VDC, EU cord	24V-S ¹
010-502601	CPS-24T, 24VDC US w/9-pin D-sub	24V-S ¹
010-502602	CPS-24T, 24VDC EU w/9-pin D-sub	24V-S ¹
010-500301	CPS-12 3.5A, 12VDC, US Cord	12V-C
010-500303	CPS-12 3.5A, 12VDC, EU Cord	12V-C
010-502700	ICM-1, M/D Intensity Cntrl, 12V-C	12V-C
010-502702	SCM-1, 1 Channel M/D Strobe Cntrl.	24V-S ²
010-501200	VPS, Variable, US Cord	12V-C
010-501201	VPS-EU, Variable, EU Cord	12V-C
030-003700	Ext. Cable, Cont., 1.8 M (6 ft.)	12V-C
030-003701	Ext. Cable, Cont., 3.0 M (10 ft.)	12V-C
030-007006	Ext. Cable, Strobe, 1.8 M (6 ft.)	24V-S ²
030-007010	Ext. Cable, Strobe, 3.0 M (10 ft.)	24V-S ²
030-003600	Y cable, 2 Lights, 9 pin D-sub Cont.	12V-C

¹010-50140x used only with 010-901900;

²010-50260x used with either 010-502702 or 24V-C lights with DB-9 connectors

²010-002102 requires two strobe channels (two SCM-1's or both channels of an SCM-2; if strobe extension cables required, order two)



CABLES/CONNECTORS:

Model #	Connectors	Length	Pin#	1	2	3	4	5	6	7	8	9
010-002100	9 pin D-sub Male	1.8 M (6 ft.)		+12VDC (Fan)	GND (Fan)	RING & DOAL GND	RING +12VDC	DOAL +12VDC	n/a	n/a	n/a	n/a
010-008600	9 pin D-sub Male	2.4 M (8 ft.)		+12VDC (Fan)	GND (Fan)	RING & DOAL GND	RING +12VDC	DOAL +12VDC	n/a	n/a	n/a	n/a
010-002101	9 pin D-sub Male	1.8 M (6 ft.)		V-	n/a	n/a	+24VDC	n/a	n/a	n/a	n/a	n/a
010-002102	9 pin D-sub Male (x2)	1.8 M (6 ft.)		n/a	n/a	n/a	n/a	+24VDC	V-	n/a	n/a	n/a
010-002103	n/a (flying leads) ¹	4.5 M (15 ft.)										

¹Note: 24V-C Models w/"Flying Leads"; leads are labeled DOAL V+, RING V+, RING & DOAL GND, FAN V+ and FAN GND



Products are protected under US Patent #'s:
 5,461,417; 5,187,611; 5,539,485; 5,301,402;
 5,604,550; 5,684,530; 5,713,661

All RVSI/NER Products come with an Industry-Leading 2-Year Warranty