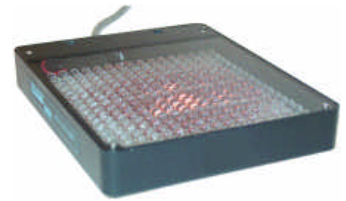


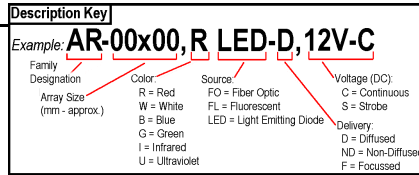
NERLITE®

AR-100 Series Area Array Illuminators

AR-100 Series Area Array Illuminators are designed for non-specular surface lighting in applications that demand economical solutions. All AR-100 Series modules employ non-diffused, square arrays of LEDs measuring approximately 100 mm per side, providing high output (HO) light from a specific direction onto the field of view. Using a new approach in thermal management technology for LED illumination, the AR-100 Series is able to support large LED arrays operating at temperature levels that guarantee long life. AR-100 Series modules may be used as dark-field (creating shadows and specular reflection) or as bright-field for diffused surfaces.



MODEL #	DESCRIPTION
010-652201	AR-100x100, R LED-ND, 12V-C
010-904101	AR-100x100, R LED-ND, 24V-C w/9 pin D-sub
010-652226	AR-100x100, R LED-ND, 24V-S
010-652203	AR-100x100, W LED-ND, 12V-C
010-904201	AR-100x100, W LED-ND, 24V-C w/9 pin D-sub
010-652228	AR-100x100, W LED-ND, 24V-S
010-652205	AR-100x100, B LED-ND, 12V-C
010-904301	AR-100x100, B LED-ND, 24V-C w/9 pin D-sub
010-652230	AR-100x100, B LED-ND, 24V-S
010-904401	AR-100x100, I LED-ND, 12V-C
010-904403	AR-100x100, I LED-ND, 24V-C w/9 pin D-sub
010-652231	AR-100x100, I LED-ND, 24V-C w/"Flying Leads"
010-904405	AR-100x100, I LED-ND, 24V-S



MECHANICAL:

L x W x H (mm/in.):

139.7 mm x 114.3 mm x 22.2 mm
(5.5 in. x 4.5 in. x 0.88 in.)

Mounting:

Housing Material:

(2) M3 SHCS holes
Black Anodized Aluminum

Weight:

567 grams (20 oz.)

ENVIRONMENTAL:

Max. Operating Humidity

95% non-condensing

Operating Temp.

40° C (104° F)

Storage Temp.

50° C (122° F)

ILLUMINATION & ELECTRICAL:

Lighting Technique:

Dark-field or Bright-field

Light Output Area:

96.8 mm x 96.8 mm
(3.81 in. x 3.81 in.)

Light Characteristics:

Source	Color (nm)	Exp. Life	Voltage/Current (max.)		
			12V-C	24V-C	24V-S
LED	Red (636)	60k hrs.	640 mA	320 mA	13.0 A pk.
LED	White - 6500 Kelvin	10k hrs.	0.9 A	420 mA	17.2 A pk.
LED	Blue (470)	10k hrs.	0.9 A	tbd	17.2 A pk.
LED	IR (940)	50k hrs.	640 mA	304 mA	7.7 A pk.

CE Conformity:

Yes

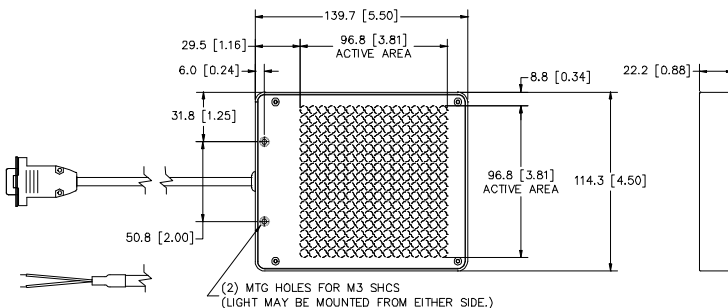
ACCESSORIES:

Part #	Description	Models Used On
010-901900	SCM-2, 2 Channel Strobe Cntrl.	24V-S
010-501402	CPS-24, 24VDC, US cord	24V-S ¹
010-501401	CPS-24, 24VDC, EU cord	24V-S ¹
010-502601	CPS-24T, 24VDC US w/9-pin D-sub	24V-C & 24V-S ^{1,2}
010-502602	CPS-24T, 24VDC EU w/9-pin D-sub	24V-C & 24V-S ^{1,2}
010-500301	CPS-12 3.5A, 12VDC, US Cord	12V-C
010-500303	CPS-12 3.5A, 12VDC, EU Cord	12V-C
010-502700	ICM-1, M/D Intensity Cntrl, 12V-C	12V-C
010-502701	ICM-1, M/D Intensity Cntrl, 24V-C	24V-C ²
010-502702	SCM-1, 1 Channel M/D Strobe Cntrl.	24V-S
010-501200	VPS, Variable, US Cord	12V-C
010-501201	VPS-EU, Variable, EU Cord	12V-C
030-003700	Ext. Cable, Cont., 1.8 M (6 ft.)	12V-C
030-003701	Ext. Cable, Cont., 3.0 M (10 ft.)	12V-C
030-007006	Ext. Cable, Strobe, 1.8 M (6 ft.)	24V-S
030-007010	Ext. Cable, Strobe, 3.0 M (10 ft.)	24V-S
030-006900	Y cable, 2 Lights, 9 pin D-sub Strb.	24V-S
030-003601	Y cable, 2 Lights, 9 pin D-sub Cont.	12V-C & 24V-C

¹ 010-50140x used only with 010-901900;

010-50260x used with either 010-502702 or 24V-C lights with DB-9 connectors

² 24V-C accessories are not available for "Flying Leads" configurations



CABLES/CONNECTORS:

	Connector	Length	Pin#	1	2	3	4	5	6	7	8	9
12V-C Models	9 pin D-sub Male	1.8 M (6 ft.)		n/a	n/a	GND	+12VDC	n/a	n/a	n/a	n/a	n/a
24V-S Models	9 pin D-sub Male	1.8 M (6 ft.)		V-	n/a	n/a	+24VDC	n/a	n/a	n/a	n/a	n/a
24V-C Models ¹	9 pin D-sub Male ¹	1.8 M (6 ft.) ¹		n/a	n/a	n/a	n/a	n/a	n/a	+24VDC	n/a	GND

¹ Note: 24V-C Models w/"Flying Leads" have a 4.5 M (15 ft.) cable with two (2) tinned leads and no connector; leads are labeled GND and V+ (+24VDC)



Products are protected under US Patent #s:
5,461,417; 5,187,611; 5,539,485; 5,301,402;
5,604,550; 5,684,530; 5,713,661

All RVS I/NER Products come with an Industry-Leading 2-Year Warranty

RVS I/NER

15 Twin Bridge Road, Weare, NH 03281 USA

Tel: 603-529-2385

FAX: 603-529-2405

www.nerlite.com