

PART NUMBER: 010-202000

PRODUCT DESCRIPTION: The DOAL-20-FO provides diffuse illumination in the same optical path as the camera. The DOAL is designed for applications that have flat specular surfaces requiring uniform lighting. Requires fiberoptic light source and light guide.

ILLUMINATION:

Lighting Technique: Diffuse On-Axis
Source Type: Fiber Optic
Spectrum: Dependent upon source
Light Delivery: Diffused
Light Aperture: 20 mm x 20 mm (0.8 in. x 0.8 in.)
Suggested Field Of View: 10 mm (0.4 in.)
Suggested Stand-Off: 12 mm (0.5 in.)

MECHANICAL:

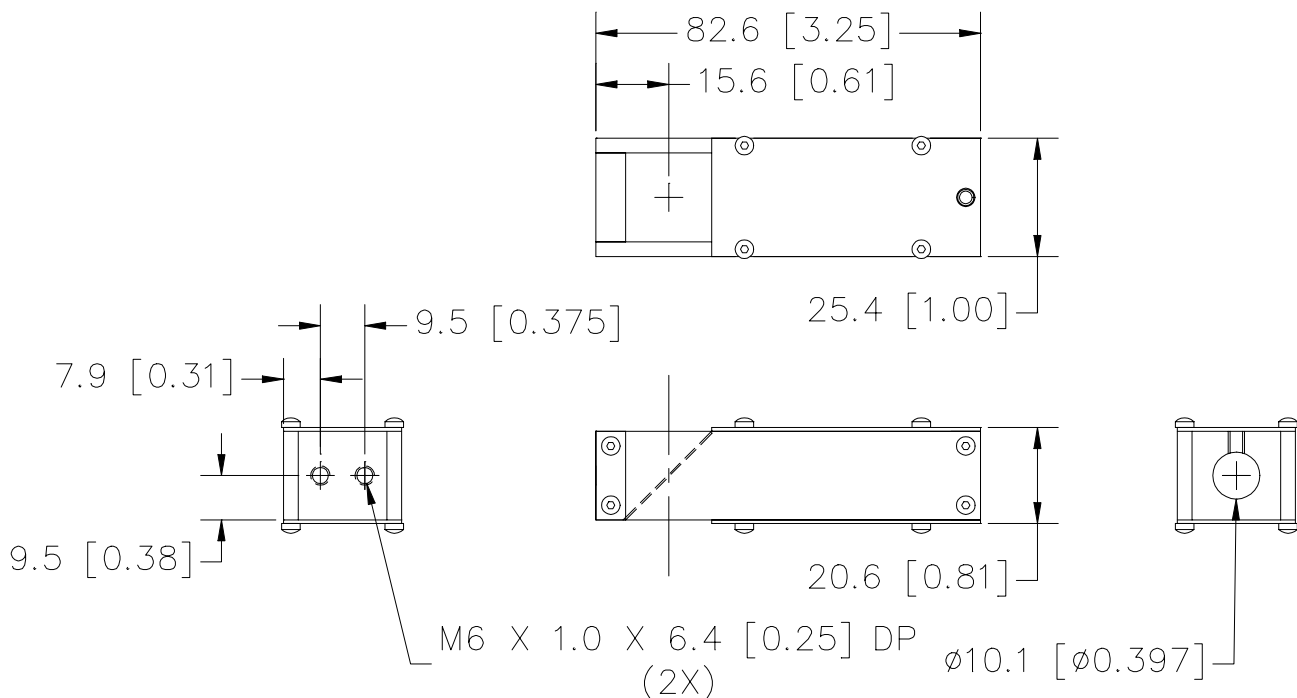
L x W x H: 82.6 mm x 25.4 mm x 20.6 mm
 (3.25 in. x 1.00 in. 0.81 in.)
Mounting: (2) M6
Housing Material: Black Anodized Aluminum
Weight: 82 grams (3 oz.)
Accepts Ferrule Ø: 0.393 1 Leg Bundle

ENVIRONMENTAL:

Max. Operating Humidity: 95% non-condensing
Operating Temp.: 40°C (104°F)
Storage Temp.: 50°C (122°F)

ACCESSORIES:

Part Number	Description
238-000500	LG-1, Single bundle light guide
238-001000	CS-1, AC Light source
238-001100	CS-2, DC Regulated light source



Products are protected under US Patent #s; 5,461,417;
 5,187,611; 5,539,485; 5,301,402; 5,604,550;
 5,684,530; 5,713,661

NER Document: CU-010-202000 - Revised: 03/12/99