

The DF-150-3 provides low-angle illumination to the region of interest. The unit uses three tiers of LEDs mounted 75° to the part surface. The lighting enhances contrast to surface perimeters that are of varying distances to the camera (e.g., embossed or engraved). The light is particularly suited for enhancing contrast on geometric contours.



MODEL #	DESCRIPTION
010-600200	DF-150-3, R LED-ND, 12V-C
010-602100	DF-150-3, R LED-ND, 24V-S
010-600206	DF-150-3, W LED-ND, 12V-C

Description Key			
Example: Dx-xxx-x, R LED-D, 12V-C			
Family Designation:	Color:	Source:	Voltage (DC):
DF = Dark Field Ring DLA = Dual Line Array	R = Red W = White B = Blue G = Green I = Infrared U = Ultraviolet	FO = Fiber Optic FL = Fluorescent LED = Light Emitting Diode	C = Continuous S = Strobe
Ring Dia. - LED Tiers (DF's) Approx. Aperture (DLA's)			Delivery: D = Diffused ND = Non-Diffused F = Focussed

ILLUMINATION & ELECTRICAL:

Lighting Technique:	Dark-Field, 3 tier, 75°, non-diffuse
Light Aperture:	101.6 mm (4.0 in.)
Field Of View x Stand-Off ¹:	38 mm (1.5 in.) x 12 mm (0.47in.)
Light Characteristics:	

Source	Color (nm)	Exp. Life	Voltage/Current (max.)	
			12V-C	24V-S
LED	Red (636)	60k hrs.	1.2 A	9.0 A pk.
LED	White - 6500 Kelvin	10k hrs.	900 mA	n/a

¹ Suggested

CE Conformity: Yes

MECHANICAL:

L x W x H (mm/in.):	161.8 mm x 139.7 mm x 25.9 mm (6.37 in. x 5.50 in. x 1.02 in.)
Mounting:	(4) 6-32 on top of unit
Housing Material:	Black Anodized Aluminum
Weight:	193 grams (7 oz.)

ENVIRONMENTAL:

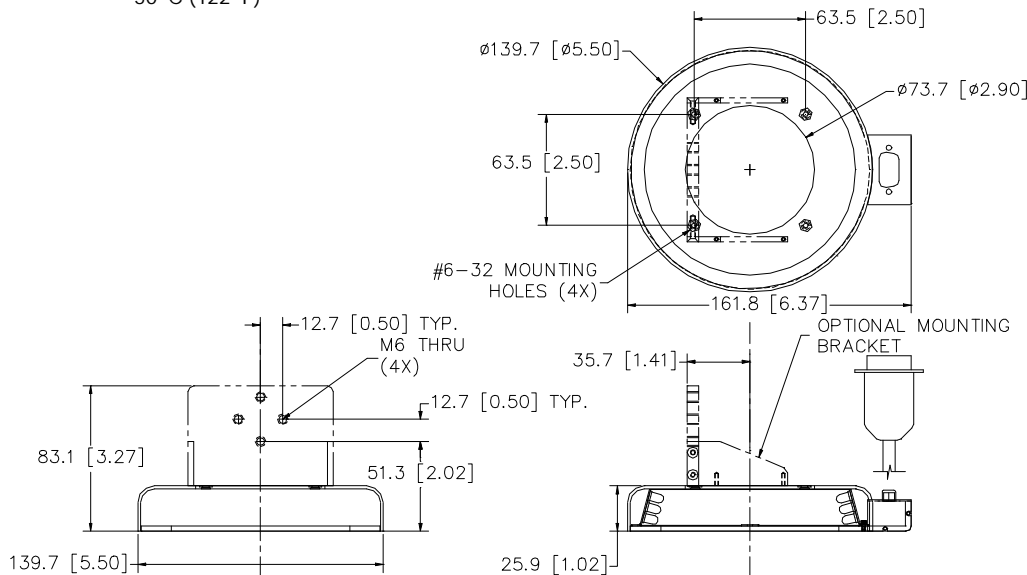
Max. Operating Humidity	95% non-condensing
Operating Temp.	40° C (104° F)
Storage Temp.	50° C (122° F)

ACCESSORIES:

Part #	Description	Models Used On
090-000100	Mounting Bracket	All
010-901900	SCM-2, 2 Channel Strobe Cntrl.	24V-S
010-501402	CPS-24, 24VDC, US cord	24V-S ¹
010-501401	CPS-24, 24VDC, EU cord	24V-S ¹
010-502601	CPS-24T, 24VDC US w/9-pin D-sub	24V-S ¹
010-502602	CPS-24T, 24VDC EU w/9-pin D-sub	24V-S ¹
010-500301	CPS-12 3.5A, 12VDC, US Cord	12V-C
010-500303	CPS-12 3.5A, 12VDC, EU Cord	12V-C
010-502700	ICM-1, M/D Intensity Cntrl, 12V-C	12V-C
010-502702	SCM-1, 1 Channel M/D Strobe Cntrl.	24V-S
010-501200	VPS, Variable, US Cord	12V-C
010-501201	VPS-EU, Variable, EU Cord	12V-C
030-003702	Ext. Cable, Cont., 1.8 M (6 ft.)	12V-C
030-003703	Ext. Cable, Cont., 3.0 M (10 ft.)	12V-C
030-003601	Y cable, 2 Lights, 9 pin D-sub Cont.	12V-C
030-007006	Ext. Cable, Strobe, 1.8 M (6 ft.)	24V-S
030-007010	Ext. Cable, Strobe, 3.0 M (10 ft.)	24V-S
030-006900	Y cable, 2 Lights, 9 pin D-sub Strb.	24V-S

¹ 010-50140x used only with 010-901900;

010-50260x used with 010-502702



CABLES/CONNECTORS:

	Connector	Length	Pin#	1	2	3	4	5	6	7	8	9
12V-C Models	9 pin D-sub Male	1.8 M (6 ft.) ¹		n/a	n/a	RING GND	+12VDC	n/a	n/a	n/a	n/a	n/a
24V-S Models	9 pin D-sub Male	1.8 M (6 ft.) ²		V-	n/a	n/a	+24VDC	n/a	n/a	n/a	n/a	n/a

¹ 1.8 M (6 ft.) power cable included (NER P/N 030-002700)

² 1.8 M (6 ft.) power cable included (NER P/N 030-013300)



Products are protected under US Patent #s:
5,461,417; 5,187,611; 5,539,485; 5,301,402;
5,604,550; 5,684,530; 5,713,661

All RVSI/NER Products come with an Industry-Leading 2-Year Warranty