

The **DF-150-1** provides low-angle illumination to the region of interest. The unit uses a single tier of LEDs mounted 90° to the optical axis. The light enhances the contrast of surface features such as laser, embossed or engraved marks or surface defects. The light is particularly suited for applications such as BGA ball placement, laser-etched symbologies and surfaces with geometric contours.



MODEL #	DESCRIPTION
010-600001	DF-150-1, R LED-D, 12V-C, 2.0' Cable
010-600002	DF-150-1, R LED-ND, 12V-C, 6.0' Cable
010-600004	DF-150-1, R LED-ND, 24V-S, 6.0' Cable
010-600005	DF-150-1, R LED-D, 24V-S, 1.5' Cable
010-600006	DF-150-1, R LED-ND, 24V-S, 1.5' Cable
010-600007	DF-150-1, R LED-D, 24V-S, 6.0' Cable

Description Key			
Example: Dx-xxx-x, R LED-D, 12V-C			
Family Designation:	Color:	Source:	Voltage (DC):
DF = Dark Field Ring	R = Red	FO = Fiber Optic	C = Continuous
DLA = Dual Line Array	W = White	FL = Fluorescent	S = Strobe
Ring Dia. - LED Tiers (DFs)	B = Blue	LED = Light Emitting Diode	Delivery:
Approx. Aperture (DLAs)	G = Green	I = Infrared	D = Diffused
	U = Ultraviolet		ND = Non-Diffused
			F = Focussed

ILLUMINATION & ELECTRICAL:

Lighting Technique:	Dark-field
Light Aperture:	101.6 mm (4 in.)
Field Of View x Stand-Off:	76.0 mm x 12.7 mm (3 in. x 0.5 in.)
Light Characteristics:	

Source	Color (nm)	Exp. Life	Voltage/Current (max.)	
			12V-C	24V-S
LED	Red (636)	60k hrs.	490 mA	2.4 A max., 1 msec pulse @ 60 MZ

CE Conformity: Yes

MECHANICAL:

L x W x H (mm/in.): 178.4 mm x 178.4 mm x 14.2 mm (7.02 in. x 7.02 in. x 0.56 in.)

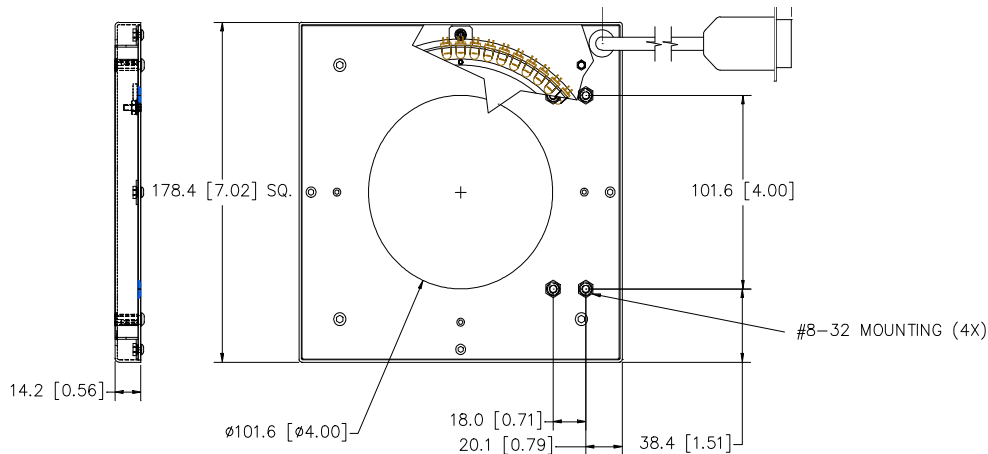
Mounting: (4) 8-32, 0.10" depth, top of unit
 Housing Material: Black Anodized Aluminum
 Weight: 504 grams (1.1 lbs.)

ENVIRONMENTAL

Max. Operating Humidity: 95% non-condensing
 Operating Temp.: 40° C (104° F)
 Storage Temp.: 50° C (122° F)

ACCESSORIES:

Part #	Description	Used On
010-901900	SCM, Strobe Control Module	24V-S Models
010-501402	CPS-24, 24VDC, US cord	24V-S Models
010-501401	CPS-24, 24VDC, EU cord	24V-S Models
010-502400	CPS-12 1.5A, 12VDC, US cord	12V-C Models
010-502500	CPS-12 1.5A, 12VDC, EU cord	12V-C Models
010-500301	CPS-12 3.5A, 12VDC, US Cord	12V-C Models
010-500303	CPS-12 3.5A, 12VDC, EU Cord	12V-C Models
010-502700	ICM-1, M/D, 12V-C	12V-C Models
010-502702	SCM-1, M/D, 24V-S	24V-S Models
010-501200	VPS, Variable, US Cord	12V-C Models
010-501201	VPS-EU, Variable, EU Cord	12V-C Models
030-003700	Ext. Cable, Continuous, 1.8 M (6 ft.)	12V-C Models
030-003701	Ext. Cable, Continuous, 3.0 M (10 ft.)	12V-C Models
030-007006	Ext. Cable, Strobe, 1.8 M (6 ft.)	24V-S Models
030-007010	Ext. Cable, Strobe, 3.0 M (10 ft.)	24V-S Models
030-006900	Y cable, 9 pin D-sub Strobe	24V-S Models
030-003600	Y cable for 2-Lights, 9 pin D-sub Cont.	12V-C Models



CABLE:

	Connector	Length	Pin#	1	2	3	4	5	6	7	8	9
12V-C Models	9 pin D-sub Male	See note 1		n/a	n/a	GND	+12VDC	n/a	n/a	n/a	n/a	n/a
24V-S Models	9 pin D-sub Male	See note 2		V-	n/a	n/a	+24VDC	n/a	n/a	n/a	n/a	n/a

¹ 010-600001 cable length 0.6 M (2.0 ft.); 010-600002 cable length 1.8 M (6.0 ft.)

² 010-600004 & 010-600007 cable length 0.6 M (2.0 ft.); 010-600005 & 010-600006 cable length 0.45 M (1.5 ft.)



Products are protected under US Patent #s:
 5,461,417; 5,187,611; 5,539,485; 5,301,402;
 5,604,550; 5,684,530; 5,713,661

All RVSI/NER Products come with an Industry-Leading 2-Year Warranty