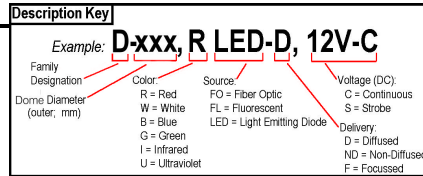


D-150 Series Dome Illuminators provide diffused, uniform light. The dome design is good for applications with shiny, bumpy surfaces. As there is no on-axis illumination, there will be an absence of light in the center of the image. When the application demands a continuous envelope of light, i.e. continuous diffuse illumination, use NER's *Cloudy Day Illuminator* (CDI) products.



MODEL #	DESCRIPTION
010-600401	D-150, R LED-D, 12V-C
010-600403	D-150, R LED-D, 24V-C
010-600402	D-150, R LED-D, 24V-S
010-600410	D-150, W LED-D, 12V-C



ILLUMINATION & ELECTRICAL:

Lighting Technique:	Bright Field
Light Aperture:	25.4 mm (1 in.)
Suggested Stand-Off:	6-12 mm (0.24 – 0.47 in.)
Light Characteristics:	

Source	Color (nm)	Exp. Life	Voltage/Current (max.)		
			12V-C	24V-C	24V-S
LED	Red (636)	60k hrs.	225 mA	186 mA	1.8 A pk.
LED	White – 6500 Kelvin	10k hrs.	320 mA	n/a	n/a

CE Conformity: Yes

MECHANICAL:

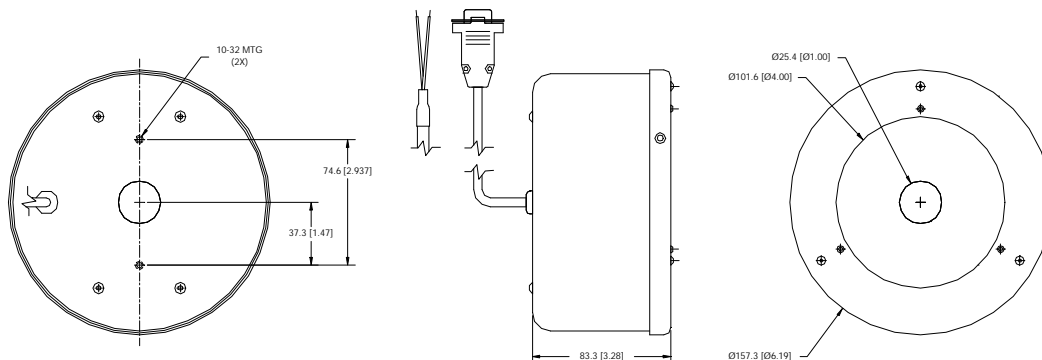
OD x H (mm/in.):	157.3 mm x 83.3 mm (6.19 in. x 3.28 in.)
Mounting:	(2) 10-32 on top of unit
Housing Material:	Black Anodized Aluminum
Weight:	510 grams (1.25 lbs.)

ENVIRONMENTAL

Max. Operating Humidity	95% non-condensing
Operating Temp.	40°C (104°F)
Storage Temp.	50°C (122°F)

ACCESSORIES:

Part #	Description	Models Used On
010-901900	SCM, Strobe Control Module	24V-S
010-501402	CPS-24, 24VDC, US cord	24V-S
010-501401	CPS-24, 24VDC, EU cord	24V-S
010-502400	CPS-12 1.5A, 12VDC, US cord	12V-C
010-502500	CPS-12 1.5A, 12VDC, EU cord	12V-C
010-500301	CPS-12 3.5A, 12VDC, US Cord	12V-C
010-500303	CPS-12 3.5A, 12VDC, EU Cord	12V-C
010-502700	ICM-1, M/D, 12V-C	12V-C
010-502702	SCM-1, M/D, 24V-S	24V-S
010-501200	VPS, Variable, US Cord	12V-C
010-501201	VPS-EU, Variable, EU Cord	12V-C
030-003700	Ext. Cable, Continuous, 1.8 M (6 ft.)	12V-C
030-003701	Ext. Cable, Continuous, 3.0 M (10 ft.)	12V-C
030-007006	Ext. Cable, Strobe, 1.8 M (6 ft.)	24V-S
030-007010	Ext. Cable, Strobe, 3.0 M (10 ft.)	24V-S
030-006900	Y cable, 9 pin D-sub Strobe	24V-S
030-003600	Y cable for 2-Lights, 9 pin D-sub Cont.	12V-C



CABLE:

	Connector	Length	Pin#	1	2	3	4	5	6	7	8	9
12V-C Models	9 pin D-sub Male	1.8 M (6 ft.)		n/a	n/a	GND	+12VDC	n/a	n/a	n/a	n/a	n/a
24V-S Models	9 pin D-sub Male	1.8 M (6 ft.)		V-	n/a	n/a	+24VDC	n/a	n/a	n/a	n/a	n/a
24V-C Models ¹	n/a (flying leads)	4.5 M (15 ft.)		n/a	n/a	n/a	n/a	n/a	n/a	n/a	n/a	n/a

¹ Note: 24V-C Models w/"Flying Leads" have a 4.5 M (15 ft.) cable with two (2) tinned leads and no connector; leads are labeled GND and V+ (+24VDC)



Products are protected under US Patent #'s:
5,461,417; 5,187,611; 5,539,485; 5,301,402;
5,604,550; 5,684,530; 5,713,661

All RVSI/NER Products come with an Industry-Leading 2-Year Warranty