

NERLITE®

R-70-1 "V2" Series Ring Illuminators

R-70-1 "V2" Series Ring Illuminators feature 24 LEDs in a single ring configuration. Building on the design of our original R-70 Series, these models offer enhancements to mounting and accessory installation that make them class leaders in application versatility. Lens adapter options permit direct mounting to lens filter threads. A wide selection of model choices... diffused, non-diffused, or focused - red or white spectrums - 12 or 24 volt power - continuous or strobed ...assures broad application coverage. For applications where more light intensity is required, the R-70-2 (two rings of 24 LEDs each for a total of 48 LEDs, p/n 010-6048xx) is available. R-70-1 V2 Ring Illuminators are ideal for applications that require cost-effective illumination of diffused surfaces.

MODEL#	DESCRIPTION
010-6058	R-70-1 V2, R LED 0 = ND, 1 = D 0 = 12V-C, 1 = 24V-C, 2 = 24V-S
010-6058	R-70-1 V2, R LED 2 = F 70, 3 = F 102, 4 = F 127 0 = 12V-C, 1 = 24V-C, 2 = 24V-S
010-6058	R-70-1 V2, W LED 0 = ND, 1 = D 3 = 12V-C, 4 = 24V-C, 5 = 24V-S
010-6058	R-70-1 V2, W LED 2 = F 70, 3 = F 102, 4 = F 127 3 = 12V-C, 4 = 24V-C, 5 = 24V-S

Description Key

Example: **R-xx-x, R LED-D, 12V-C**

Family Designation: R = Red, W = White, B = Blue, G = Green, I = Infrared, U = Ultraviolet

Color: R = Red, W = White, B = Blue, G = Green, I = Infrared, U = Ultraviolet

Source: FO = Fiber Optic, FL = Fluorescent, LED = Light Emitting Diode

Voltage (DC): C = Continuous, S = Strobe

Delivery: D = Diffused, ND = Non-Diffused, F = Focussed

Outer Diam. (mm) - # of Rings



MECHANICAL:

OD x ID x H (mm/in.):

71.1 mm x 43.4 mm x 25.4 mm
(2.80 in. x 1.71 in. x 1.0 in.)
(3) M3 X 3.8 mm (0.15 in.) Deep
Black Anodized Aluminum
136 grams (0.3 lbs.)

Mounting:

Housing Material:

Weight:

ENVIRONMENTAL:

Max. Operating Humidity

Operating Temp.

Storage Temp.

95% non-condensing
40° C (104° F)
50° C (122° F)

ILLUMINATION & ELECTRICAL:

Lighting Technique:

Light Aperture:

Light Characteristics:

Ring
43.4 mm (1.71 in.)

Source	Color (nm)	Exp. Life	Voltage/Current (max.)		
			12V-C	24V-C	24V-S
LED	Red + (660)	50k hrs.	84 mA	46 mA	0.8 A pk.
LED	White - 6500 Kelvin	10k hrs.	160 mA	80 mA	1.6 A pk.

CE Conformity:

Yes

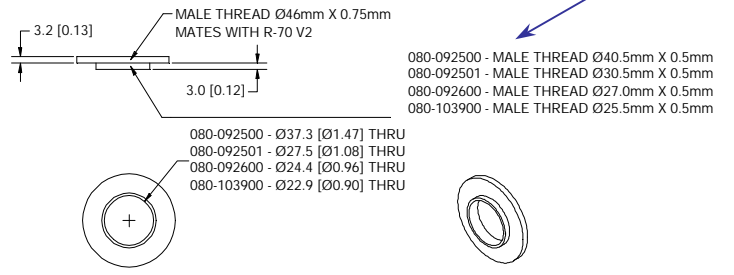
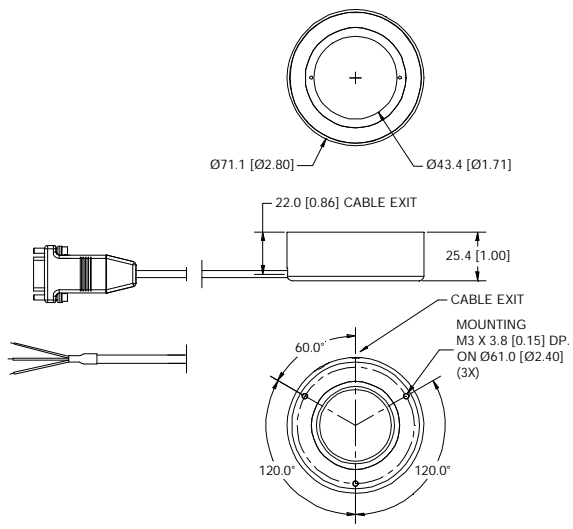
ACCESSORIES:

Part #	Description	Models Used On
010-901900	SCM-2, 2 Channel Strobe Cntrl.	24V-S
010-501402	CPS-24, 24VDC, US cord	24V-S ¹
010-501401	CPS-24, 24VDC, EU cord	24V-S ¹
010-502601	CPS-24T, 24VDC US w/9-pin D-sub	24V-C & 24V-S ^{1,2}
010-502602	CPS-24T, 24VDC EU w/9-pin D-sub	24V-C & 24V-S ^{1,2}
010-500301	CPS-12 3.5A, 12VDC, US Cord	12V-C
010-500303	CPS-12 3.5A, 12VDC, EU Cord	12V-C
010-502700	ICM-1, M/D Intensity Cntrl, 12V-C	12V-C
010-502701	ICM-1, M/D Intensity Cntrl, 24V-C	24V-C ²
010-502702	SCM-1, 1 Channel M/D Strobe Cntrl.	24V-S
010-501200	VPS, Variable, US Cord	12V-C
010-501201	VPS-EU, Variable, EU Cord	12V-C
030-003702	Ext. Cable, Cont., 1.8 M (6 ft.)	12V-C & 24V-C
030-003703	Ext. Cable, Cont., 3.0 M (10 ft.)	12V-C & 24V-C
030-007006	Ext. Cable, Strobe, 1.8 M (6 ft.)	24V-S
030-007010	Ext. Cable, Strobe, 3.0 M (10 ft.)	24V-S
030-006900	Y cable, 2 Lights, 9 pin D-sub Strb.	24V-S
030-003601	Y cable, 2 Lights, 9 pin D-sub Cont.	12V-C & 24V-C
080-xxxxxx	R-70-1 & -2 Lens Adapters	All

¹ 010-50140x used only with 010-901900;

010-50260x used with either 010-502702 or 24V-C lights with DB-9 connectors

² 24V-C accessories are not available for "Flying Leads" configurations



CABLES/CONNECTORS:

	Connector	Length	Pin#	1	2	3	4	5	6	7	8	9
12V-C Models	9 pin D-sub Male	2.0 M (6.6 ft.)		n/a	n/a	GND	+12VDC	n/a	n/a	n/a	n/a	n/a
24V-S Models	9 pin D-sub Male	2.0 M (6.6 ft.)		V-	n/a	n/a	+24VDC	n/a	n/a	n/a	n/a	n/a
24V-C Models ¹	9 pin D-sub Male ¹	2.0 M (6.6 ft.)		n/a	n/a	n/a	n/a	n/a	n/a	+24VDC	n/a	GND

¹ Note: 24V-C Models w/"Flying Leads" have a 4.5 M (15 ft.) cable with two (2) tinned leads and no connector; leads are labeled GND and V+ (+24VDC)



Products are protected under US Patent #s:
5,461,417; 5,187,611; 5,539,485; 5,301,402;
5,604,550; 5,684,530; 5,713,661

All RVSI/NER Products come with an Industry-Leading 2-Year Warranty