

NERLITE®

R-60-1 "V2" Series Ring Illuminators

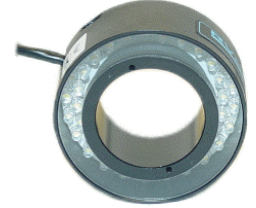
R-60-1 "V2" Series Ring Illuminators feature 24 LEDs in a single ring configuration. Building on the design of our original Ring Illuminators, these new models offer enhancements to mounting and accessory installation that make them class leaders in application versatility. New lens adapter options permit direct mounting to lens filter threads. A wide selection of model choices... diffused, non-diffused, or focused - red or white spectrums - 12 or 24 volt power - continuous or strobed... assures broad application coverage. For applications where more light intensity is required, see the R-60-2 (two rings of 24 LEDs for a total of 48 LEDs, p/n 010-6050xx). R-60-1 V2 Ring Illuminators are ideal for applications that require illumination of diffused surfaces.

MODEL#	DESCRIPTION
010-6060	R-60-1 V2, R LED 0 = ND, 1 = D, 2 = F 70, 3 = F 102, 4 = F 127 0 = 12V-C, 1 = 24V-C, 2 = 24V-S
010-6060	R-60-1 V2, W LED 0 = ND, 1 = D, 2 = F 70, 3 = F 102, 4 = F 127 3 = 12V-C, 4 = 24V-C, 5 = 24V-S

Description Key

Example: **R-xx-x, R LED-D, 12V-C**

Family Designation	Color:	Source:	Voltage (DC):
Outer Diam. (mm) - # of Rings	R = Red W = White B = Blue G = Green I = Infrared U = Ultraviolet	FO = Fiber Optic FL = Fluorescent LED = Light Emitting Diode	C = Continuous S = Strobe
			Delivery: D = Diffused ND = Non-Diffused F = Focussed



ILLUMINATION & ELECTRICAL:

Lighting Technique:	Ring				
Light Aperture:	34.5 mm (1.36 in.)				
Light Characteristics:					
	Voltage/Current (max.)				
Source	Color (nm)	Exp. Life	12V-C	24V-C	24V-S
LED	Red + (660)	50k hrs.	84 mA	46 mA	0.8 A pk.
LED	White - 6500 Kelvin	10k hrs.	160 mA	80 mA	1.6 A pk.

CE Conformity: Yes

MECHANICAL:

OD x ID x H (mm/in.): 61.0 mm x 34.5 mm x 25.4 mm (2.40 in. x 1.36 in. x 1.0 in.)
 Mounting: (3) M3 X 3.8 mm (0.15 in.) Deep
 Housing Material: Black Anodized Aluminum
 Weight: 133 grams (0.29 lbs.)

ENVIRONMENTAL:

Max. Operating Humidity: 95% non-condensing
 Operating Temp.: 40° C (104° F)
 Storage Temp.: 50° C (122° F)

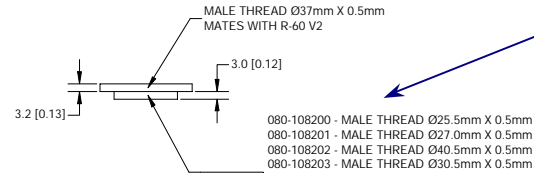
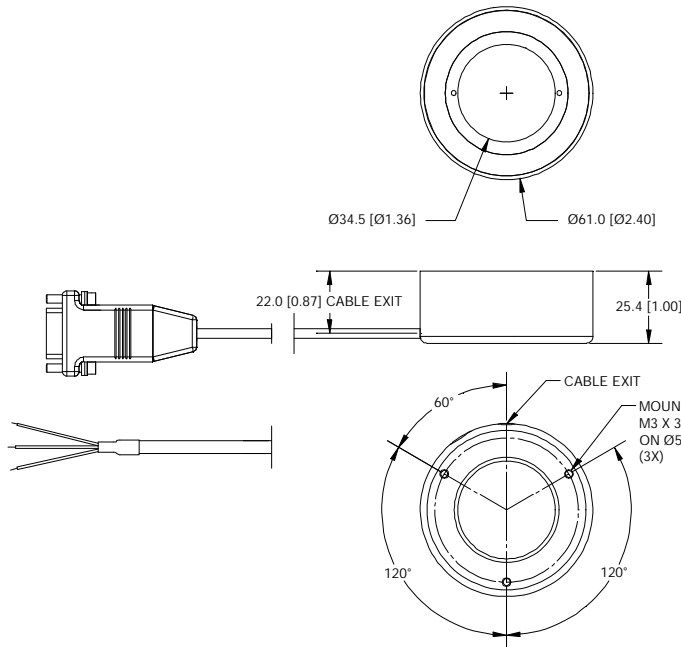
ACCESSORIES:

Part #	Description	Models Used On
010-901900	SCM-2, 2 Channel Strobe Cntrl.	24V-S
010-501402	CPS-24, 24VDC, US cord	24V-S ¹
010-501401	CPS-24, 24VDC, EU cord	24V-S ¹
010-502601	CPS-24T, 24VDC US w/9-pin D-sub	24V-C & 24V-S ^{1,2}
010-502602	CPS-24T, 24VDC EU w/9-pin D-sub	24V-C & 24V-S ^{1,2}
010-500301	CPS-12 3.5A, 12VDC, US Cord	12V-C
010-500303	CPS-12 3.5A, 12VDC, EU Cord	12V-C
010-502700	ICM-1, M/D Intensity Cntrl, 12V-C	12V-C
010-502701	ICM-1, M/D Intensity Cntrl, 24V-C	24V-C ²
010-502702	SCM-1, 1 Channel M/D Strobe Cntrl.	24V-S
010-501200	VPS, Variable, US Cord	12V-C
010-501201	VPS-EU, Variable, EU Cord	12V-C
030-003702	Ext. Cable, Cont., 1.8 M (6 ft.)	12V-C & 24V-C
030-003703	Ext. Cable, Cont., 3.0 M (10 ft.)	12V-C & 24V-C
030-007006	Ext. Cable, Strobe, 1.8 M (6 ft.)	24V-S
030-007010	Ext. Cable, Strobe, 3.0 M (10 ft.)	24V-S
030-006900	Y cable, 2 Lights, 9 pin D-sub Strb.	24V-S
030-003601	Y cable, 2 Lights, 9 pin D-sub Cont.	12V-C & 24V-C
080-xxxxxx	R-60-1 & -2 Lens Adapters	All

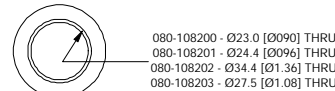
¹ 010-50140x used only with 010-901900;

² 010-50260x used with either 010-502702 or 24V-C lights with DB-9 connectors

³ 24V-C accessories are not available for "Flying Leads" configurations



- 080-108200 - MALE THREAD Ø25.5mm X 0.5mm
- 080-108201 - MALE THREAD Ø27.0mm X 0.5mm
- 080-108202 - MALE THREAD Ø40.5mm X 0.5mm
- 080-108203 - MALE THREAD Ø30.5mm X 0.5mm



- 080-108200 - Ø23.0 [0090] THRU
- 080-108201 - Ø24.4 [0096] THRU
- 080-108202 - Ø34.4 [01.36] THRU
- 080-108203 - Ø27.5 [01.08] THRU

CABLES/CONNECTORS:

	Connector	Length	Pin#	1	2	3	4	5	6	7	8	9
12V-C Models	9 pin D-sub Male	2.0 M (6.6 ft.)		n/a	n/a	GND	+12VDC	n/a	n/a	n/a	n/a	n/a
24V-S Models	9 pin D-sub Male	2.0 M (6.6 ft.)		V-	n/a	n/a	+24VDC	n/a	n/a	n/a	n/a	n/a
24V-C Models ¹	9 pin D-sub Male ¹	2.0 M (6.6 ft.)		n/a	n/a	n/a	n/a	n/a	n/a	+24VDC	n/a	GND

¹ Note: 24V-C Models w/"Flying Leads" have a 4.5 M (15 ft.) cable with two (2) tinned leads and no connector; leads are labeled GND and V+ (+24VDC)



Products are protected under US Patent #s:
 5,461,417; 5,187,611; 5,539,485; 5,301,402;
 5,604,550; 5,684,530; 5,713,661

All RVSI/NER Products come with an Industry-Leading 2-Year Warranty