

# DALSTAR 6M18 (Preliminary)

## PRELIMINARY.

This information is  
subject to change  
without notice.

### Ultra-high resolution...unparalleled frame rates...and truly superior image quality. The 6M18 has no equals.

With ultra-high resolution at an unparalleled frame rate, the DALSTAR 6M18 stands alone. Its high-sensitivity 12-bit images and 3k x 2k spatial resolution at up to 18 frames per second (fps) are unmatched in the industry.

The 6M18 cameras use full-frame progressive scan CCDs to simultaneously achieve outstanding resolution and gray scale characteristics. A square pixel format and 100% fill factor provide superior, quantifiable image quality even at low light levels.

The 6M18 is an outstanding performer in film scanning applications. True 12 bit performance provides up to 4096 distinct gray levels—perfect for applications with large interscene light variations. The low-noise, digitized video signal also makes the camera an excellent choice where low contrast images must be captured in challenging applications.



## Features

- 18fps true 12-bit digitization
- High sensitivity with low dark current
- Progressive scan readout
- Binning
- Programmable operation (via RS232)
- 100% fill factor

## Specifications

<b>Resolution</b>	3072 x 2048
<b>Pixel Size</b>	12 $\mu$ m x 12 $\mu$ m
<b>Aperture</b>	36.9mm x 24.6mm
<b>Lens Mount</b>	F-mount
<b>Max. Line/Frame Rate</b>	18fps
<b>Data Rate</b>	4x40MHz
<b>Data Format</b>	4x12-bit LVDS
<b>Responsivity</b>	19DN/(nJ/cm <sup>2</sup> ) @540nm
<b>Dynamic Range</b>	2800:1
<b>Nominal Gain Range</b>	1-10x
<b>Size</b>	146x92x145mm
<b>Mass</b>	1.3kg
<b>Operating Temp</b>	10-40 C
<b>Power Supply</b>	+5V, -5V, +15V
<b>Power Dissipation</b>	< 25W
<b>Regulatory Compliance</b>	
<b>Example Part Number</b>	DS-41-06M18

## Applications

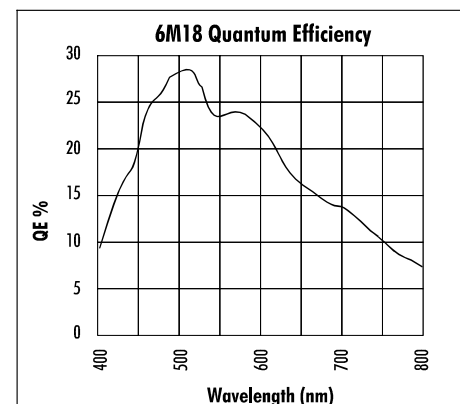
- Film scanning
- Large-format high-resolution high-speed imaging

## Sensor

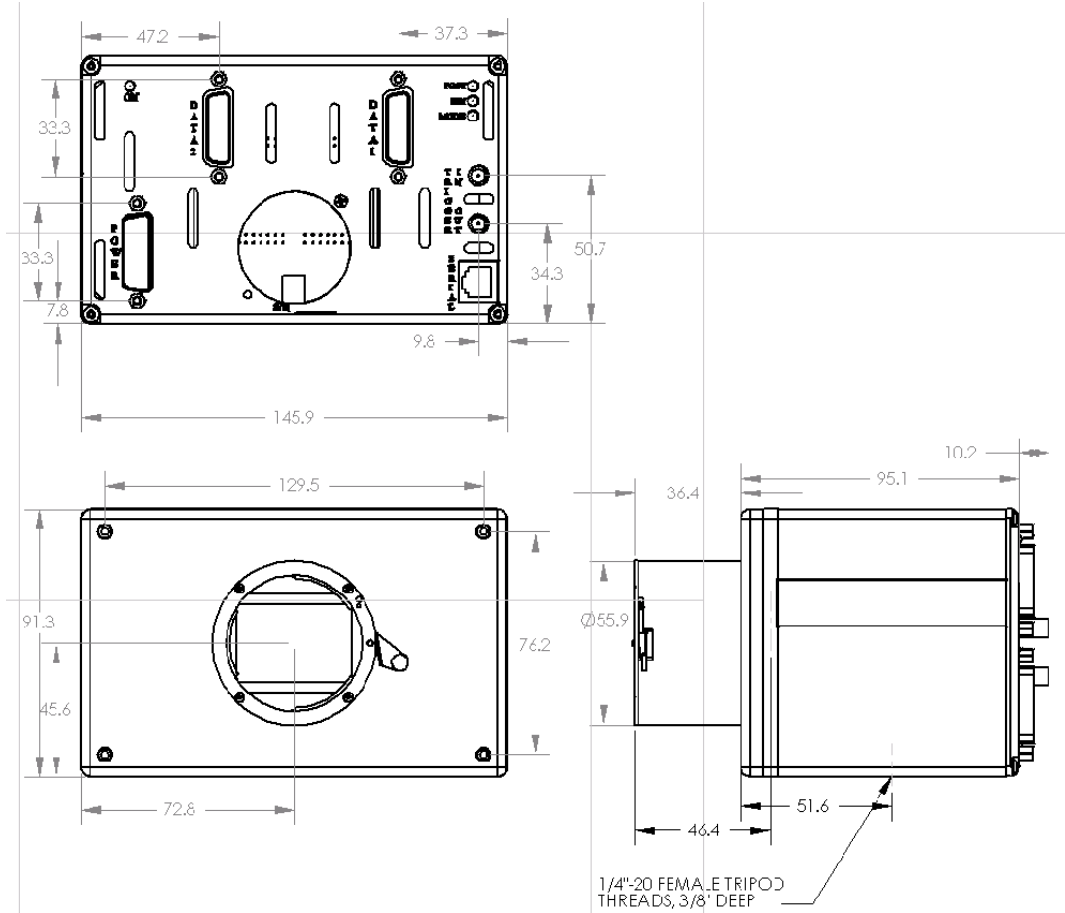
The 6M18 (Preliminary) uses a high-performance full frame CCD.

## Connectors

<b>Control</b>	SMA coax for sync
<b>Data</b>	2xMDR60
<b>Power</b>	DB15M
<b>Other</b>	RJ-11F for serial link



### Mechanical Dimensions



### For More Information

For more detailed information on this and other products, including pinouts, timing, and signal descriptions, see the full product datasheet. Contact your local rep or visit our website at <http://vfm.dalsa.com/products>.

#### DALSA Worldwide Sales

605 McMurray Rd  
Waterloo, ON N2V 2E9  
Canada  
Tel: 519 886 6000  
Fax: 519 886 8023  
[www.dalsa.com](http://www.dalsa.com)  
[sales@dalsa.com](mailto:sales@dalsa.com)

#### DALSA European Sales

Breslauer Str. 34  
D-82194 Gröbenzell (Munich)  
Germany  
Tel: +49 - 8142 - 46770  
Fax: +49 - 8142 - 467746  
[www.dalsa.com](http://www.dalsa.com)  
[europe@dalsa.com](mailto:europe@dalsa.com)

#### DALSA Asia Pacific Sales

Space G1 Building, 4F  
2-40-2 Ikebukuro  
Toshima-ku, Tokyo 171-0014  
Japan  
+81 3 5960 6353 (phone)  
+81 3 5960 6354 (fax)  
[www.dalsa.com](http://www.dalsa.com)  
[asia@dalsa.com](mailto:asia@dalsa.com)



30-Aug-01  
03-70-00120-00  
[www.dalsa.com](http://www.dalsa.com)

This information subject to change without notice.