

Pantera 1M30

Area Scan Cameras



Key Features

- 12 bit digitization
- Exposure control and antiblooming
- 100% fill factor
- High sensitivity with low dark current
- Single tap readout
- Base Camera Link

Programmability

- Selectable 8, 10, or 12 bit output
- Selectable binning
- Five selectable exposure modes
- Video mode and test pattern selection

Typical Applications

- X-rays: medical and non-destructive test
- Medical imaging
- Microscopy
- Metrology

Overview

30 frames per second of full 1k by 1k resolution and 12 bit digitization gives you the speed to succeed in the most demanding applications.

The Pantera TF 1M30 camera provides high-sensitivity 12 bit images with 1k x 1k spatial resolution at up to 30 frames per second. The Pantera TF 1M30 is a frame transfer CCD camera using a TrueFrame™ progressive scan CCD to simultaneously achieve outstanding resolution and gray scale characteristics. A 12 μm square pixel format and 100% fill factor provide superior image quality even at low light levels.

12 bit performance provides up to 4096 distinct gray levels—perfect for applications with large interscene light variations. The low-noise, digitized video signal also makes the camera an excellent choice where low contrast images must be captured in challenging applications.

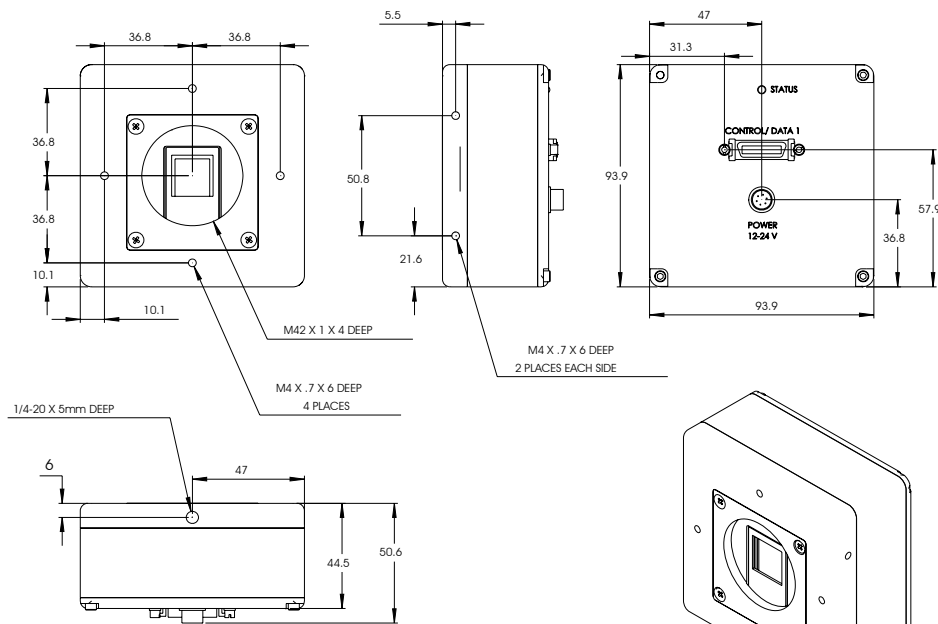
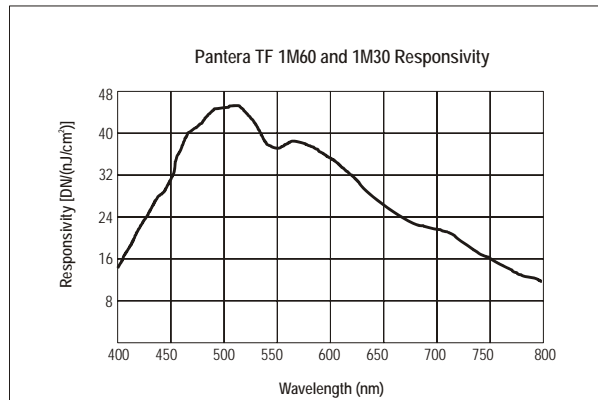
Specifications

| | |
|-----------------------|---|
| Resolution | 1024 x 1024 |
| Data Rate | 1 x 40 MHz |
| Max. Line/Frame Rate | 30 fps |
| Pixel Size | 12 μm |
| Data Format | 8, 10, 12 bit |
| Output | Base Camera Link |
| Lens Mount | M42 x 1, C, F mount |
| Responsivity | 40 DN/(nJ/cm ²) @ 540 nm, 1x gain |
| Dynamic Range | 66 dB |
| Nominal Gain Range | 1x to 4x |
| Size | 94 mm x 94 mm x 45 mm |
| Mass | 850 g |
| Operating Temp | 0 °C to 40 °C |
| Power Supply | 12 V to 15 V |
| Power Dissipation | <17 W |
| Regulatory Compliance | CE |
| Control | MDR26 Camera Link |
| Data | Shared with Control |
| Power | Hirose HR10 6 pin |
| Example Part Number | DS-1A-01M30 |

Pantera 1M30

Area Scan Cameras

This progressive scan camera uses TrueFrame™ Frame Transfer architecture—it has an on-chip shielded storage region and requires no shutter.



DIMENSIONS ARE IN mm

+/- .3 TOLERANCE ON ALL DIMENSIONS UNLESS OTHERWISE INDICATED