

LA Series Linear Illuminators provide a high intensity "light line" generated from a single row of LEDs. Available in 50, 100 and 150 mm lengths, LA Series modules can be combined to create a linear projection of light of virtually any length.

MODEL#	DESCRIPTION
010-6541	LA-50-1, R LED 0 = ND, 1 = D, 2 = LW.2"@.5", 4 = LW.25"@.5" 0 = 12V-C, 1 = 24V-C, 2 = 24V-S
010-6541	LA-50-1, W LED 0 = ND, 1 = D, 2 = LW.2"@.5", 4 = LW.25"@.5" 3 = 12V-C, 4 = 24V-C, 5 = 24V-S
010-6543	LA-100-1, R LED 0 = ND, 1 = D, 2 = LW.2"@.5", 4 = LW.25"@.5" 0 = 12V-C, 1 = 24V-C, 2 = 24V-S
010-6543	LA-100-1, W LED 0 = ND, 1 = D, 2 = LW.2"@.5", 4 = LW.25"@.5" 3 = 12V-C, 4 = 24V-C, 5 = 24V-S
010-6545	LA-150-1, R LED 0 = ND, 1 = D, 2 = LW.2"@.5", 4 = LW.25"@.5" 0 = 12V-C, 1 = 24V-C, 2 = 24V-S
010-6545	LA-150-1, W LED 0 = ND, 1 = D, 2 = LW.2"@.5", 4 = LW.25"@.5" 3 = 12V-C, 4 = 24V-C, 5 = 24V-S

**Description Key**

Example: **LA-000-0, R LED-D, 12V-C**

Family Designation: LA-000-0  
Color: R = Red, W = White, B = Blue, G = Green, I = Infrared, U = Ultraviolet  
Source: FO = Fiber Optic, FL = Fluorescent, LED = Light Emitting Diode  
Voltage (DC): C = Continuous, S = Strobe  
Delivery: D = Diffused, ND = Non-Diffused, F = Focussed



**ENVIRONMENTAL:**

**Max. Operating Humidity** 95% non-condensing  
**Operating Temp.** 40° C (104° F)  
**Storage Temp.** 50° C (122° F)

**ACCESSORIES:**

Part #	Description	Models Used On
010-901900	SCM-2 Channel Strobe Control	24V-S
010-502702	SCM-1 Channel M/D Strobe Control	24V-S
010-501402	CPS-24, 24VDC, US cord	24V-S <sup>1</sup>
010-501401	CPS-24, 24VDC, EU cord	24V-S <sup>1</sup>
010-502601	CPS-24T, 24VDC US w/9-pin D-sub	24V-C & 24V-S <sup>1</sup>
010-502602	CPS-24T, 24VDC EU w/9-pin D-sub	24V-C & 24V-S <sup>1</sup>
010-500301	CPS-12 3.5A, 12VDC, US Cord	12V-C
010-500303	CPS-12 3.5A, 12VDC, EU Cord	12V-C
010-502700	ICM-1, M/D Intensity Cntrl, 12V-C	12V-C
010-502701	ICM-1, M/D Intensity Cntrl, 24V-C	24V-C
010-501200	VPS, Variable, US Cord	12V-C
010-501201	VPS-EU, Variable, EU Cord	12V-C
030-003702	Ext. Cable, Cont., 1.8 M (6 ft.)	12V-C & 24V-C
030-003703	Ext. Cable, Cont., 3.0 M (10 ft.)	12V-C & 24V-C
030-007006	Ext. Cable, Strobe, 1.8 M (6 ft.)	24V-S
030-007010	Ext. Cable, Strobe, 3.0 M (10 ft.)	24V-S
030-006900	Y cable, 2 Lights, 9 pin D-sub Strb.	24V-S
030-003601	Y cable, 2 Lights, 9 pin D-sub Cont.	12V-C & 24V-C

**ILLUMINATION & ELECTRICAL:**

**Lighting Technique:** Linear; Dark-field or Bright-field  
**Illuminated Area (mm/in.):**

LA-50-1	LA-100-1	LA-150-1
51.0 x 8.9 / 2.01 x 0.35	101.8 x 8.9 / 4.01 x 0.35	152.6 x 8.9 / 6.01 x 0.35

**Stand-Off<sup>1</sup>:** 12.7 mm (0.5 in.)

**Light Characteristics:**

Source	Color (nm)	Exp. Life	Voltage/Current (mA ; max. cont., peak strobe)								
			12V-C			24V-C			24V-S		
LED	Red (660)	50k hrs.	42	84	126	23	46	69	400	800	1200
LED	White - 6500 Kelvin	10k hrs.	80	160	240	40	80	120	800	1600	2400

**CE Conformity:** Yes

<sup>1</sup>Suggested; diffused & non-diffused models; see model # descriptions above for focused unit line widths (LW) @ 0.5" standoff. See chart at <http://www.nerlite.com/pdf/techrefs/la-series-fl.pdf> for details.

**MECHANICAL:**

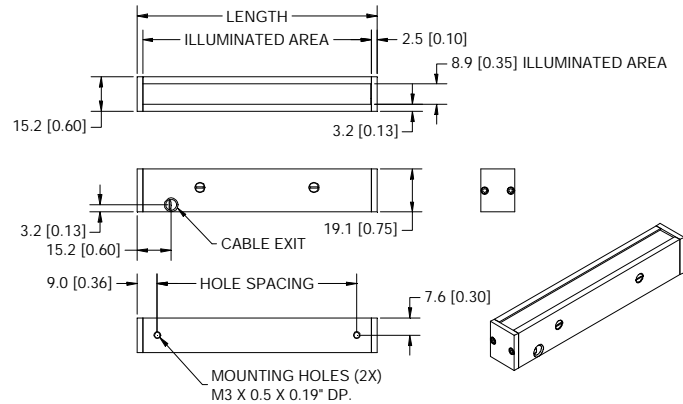
**L x W x H (mm/in.):**

LA-50-1	LA-100-1	LA-150-1
56.1 x 15 x 19 / 2.21 x 0.6 x 0.75	106.9 x 15 x 19 / 4.21 x 0.6 x 0.75	157.7 x 15 x 19 / 6.21 x 0.6 x 0.75

**Weight:** 78 grams (2.6 oz.) / 105 grams (3.7 oz.) / 136 grams (4.8 oz.)  
**Mounting:** (2) M3 x .25" deep  
**Housing Material:** Black Anodized Aluminum

**CABLES/CONNECTORS:**

Connector	Length	Pin#	1	2	3	4	5	6	7	8	9
12V-C Models	9 pin D-sub Male	2.0 M (6.6 ft.)	n/a	n/a	GND	+12VDC	n/a	n/a	n/a	n/a	n/a
24V-S Models	9 pin D-sub Male	2.0 M (6.6 ft.)	V-	n/a	n/a	+24VDC	n/a	n/a	n/a	n/a	n/a
24V-C Models	9 pin D-sub Male	2.0 M (6.6 ft.)	n/a	n/a	n/a	n/a	n/a	n/a	+24VDC	n/a	GND



TABULATION	LENGTH	ILLUMINATED AREA	HOLES SPACING
010-6541XX	2.21	2.01	1.50
010-6543XX	4.21	4.01	3.50
010-6545XX	6.21	6.01	5.50



Products are protected under US Patent #s: 5,461,417; 5,187,611; 5,539,485; 5,301,402; 5,604,550; 5,684,530; 5,713,661

**All RVSI/NER Products come with an Industry-Leading 2-Year Warranty**