

SCDI®-50 Square Continuous Difuse Illuminators provide continuous diffuse illumination in the same optical path as the camera. The SCDIs patented design addresses critical applications involving highly specular surfaces. The SCDI is designed to minimize surface textures and elevation changes while providing uniform illumination over the field of view.



MODEL #	DESCRIPTION
010-303000	SCDI®-50, W LED-D, 24V-S
010-303002	SCDI®-50, R LED-D, 24V-S

Description Key			
Example: SCDI-xx, R LED-D, 12V-C			
Family Designation	Color	Source	Voltage (DC)
Aperture (mm - approx.)	R = Red W = White B = Blue G = Green I = Infrared U = Ultraviolet	FO = Fiber Optic FL = Fluorescent LED = Light Emitting Diode	C = Continuous S = Strobe
			Delivery: D = Diffused ND = Non-Diffused F = Focussed

ILLUMINATION & ELECTRICAL:

Lighting Technique:	Square Continuous Diffuse
Light Aperture:	50.8 mm x 38.6 mm (2.00 in. x 1.52 in.)
Field Of View x Stand-Off¹:	25.4 mm (1.0 in.) x 12.7 mm (0.5 in.)
Light Characteristics:	

Source	Color (nm)	Exp. Life	Voltage/Current (max.)
LED	Red (636)	60k hrs.	24V-S 3.2 A Pk.
LED	White - 6500 Kelvin	10k hrs.	4.4 A Pk.

¹ Suggested

CE Conformity: Yes

MECHANICAL:

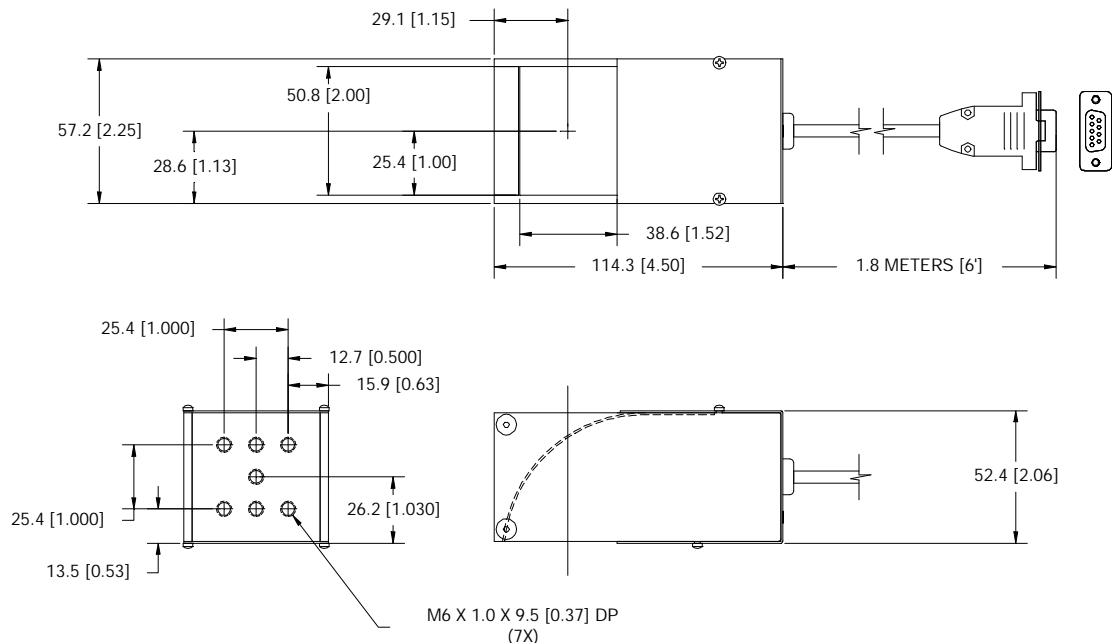
L x W x H (mm/in.):	114.3 mm x 57.2 mm x 52.4 mm (4.50 in. x 2.25 in. x 2.06 in.)
Mounting:	(7) M6 x 1.0 x 9.5 (0.37 in.) DP
Housing Material:	Black Anodized Aluminum
Weight:	354 grams (12.5 oz.)

ENVIRONMENTAL:
Max. Operating Humidity 95% non-condensing
Operating Temp. 40° C (104° F)
Storage Temp. 50° C (122° F)

ACCESSORIES:

Part #	Description	Models Used On
010-901900	SCM-2, 2 Channel Strobe Cntrl.	24V-S
010-501402	CPS-24, 24VDC, US cord	24V-S ¹
010-501401	CPS-24, 24VDC, EU cord	24V-S ¹
010-502601	CPS-24T, 24VDC US w/9-pin D-sub	24V-S ¹
010-502602	CPS-24T, 24VDC EU w/9-pin D-sub	24V-S ¹
010-502702	SCM-1, 1 Channel M/D Strobe Cntrl.	24V-S
030-007006	Ext. Cable, Strobe, 1.8 M (6 ft.)	24V-S
030-007010	Ext. Cable, Strobe, 3.0 M (10 ft.)	24V-S
030-006900	Y cable, 2 Lights, 9 pin D-sub Strb.	24V-S

¹ 010-50140x used only with 010-901900;
 010-50260x used with either 010-502702 or 24V-C lights with DB-9 connectors



CABLES/CONNECTORS:

Connector	Length	Pin#	1	2	3	4	5	6	7	8	9
24V-S Models	9 pin D-sub Male	1.8 M (6 ft.)	V-	n/a	n/a	+24VDC	n/a	n/a	n/a	n/a	n/a



Products are protected under US Patent #s:
 5,461,417; 5,187,611; 5,539,485; 5,301,402;
 5,604,550; 5,684,530; 5,713,661

All RVSI/NER Products come with an Industry-Leading 2-Year Warranty