

Part Number: 010-204000

Product Description: The DOAL-200-LED provides diffuse, infrared LED illumination in the same optical axis as the camera. The DOAL is designed for applications that have flat specular surfaces requiring uniform lighting.

ILLUMINATION:

Lighting Technique: Diffuse On-Axis
Source Type: Infrared LED
Spectrum: 940 nm
Expected Life: 50,000 hours
Light Delivery: Diffused
Light Aperture: 199 mm x 203 mm (7.8 in. x 8 in.)
Suggested Field Of View: 100 mm (4 in.)
Suggested Stand-Off: 25 mm (1 in.)

ELECTRICAL:

Input Voltage: 12VDC max.
Input Current: 2.8 A max.
Connector: 9 Pin D-sub male
Cable Length: 0.5 M (18 in.)
CE Conformity: Yes

MECHANICAL:

L x W x H: 274.8 mm x 212.7 mm x 204.9mm
 (10.82 in. x 8.37 in. x 8.07 in.)
Mounting: (6) M6
Weight: 3.2 kg (7 lbs. 2 oz.)
Housing Material: Black Anodized Aluminum

ENVIRONMENTAL:

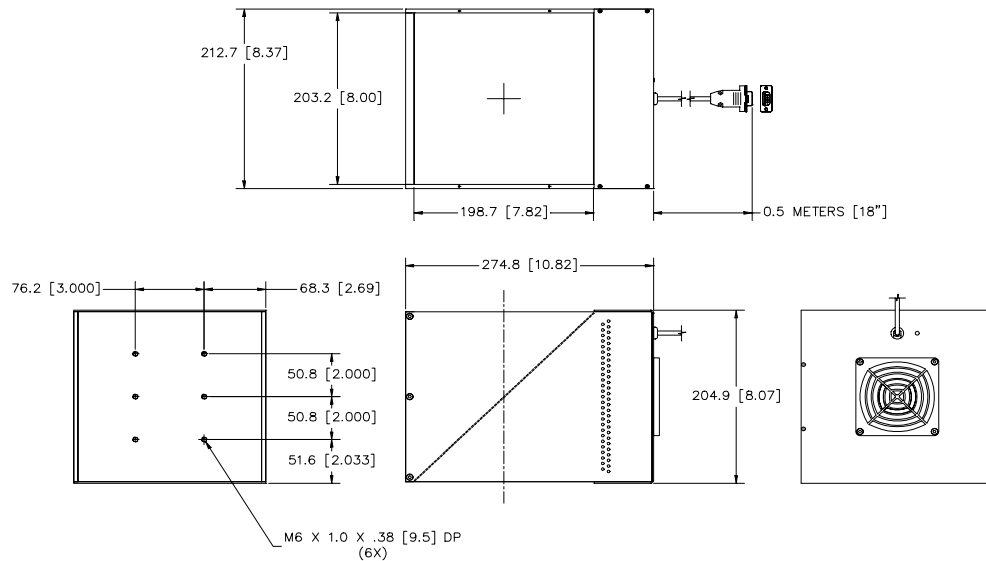
Max. Operating Humidity: 95% non-condensing
Operating Temp.: 40°C (104° F)
Storage Temp.: 50°C (122° F)

CABLE PINOUT (9-pin D-subminiature, Male)

Pin #	Signal	Pin #	Signal
1	Fan +12VDC6	n/a	
2	Fan GND	7	n/a
3	GND	8	n/a
4	+12VDC	9	n/a
5	n/a		

ACCESSORIES:

Part Number	Description
010-500301	CPS-12, 12VDC, US Cord
010-500303	CPS-12, 12VDC, EU Cord
030-003700	Extension Cable, Continuous, 1.8 M (6 ft.)
030-003701	Extension Cable, Continuous, 3.0 M (10 ft.)



Products are protected under US Patent #s; 5,461,417;
 5,187,611; 5,539,485; 5,301,402; 5,604,550;
 5,684,530; 5,713,661