

NERLITE®

COAL®-25-FO

PART NUMBER: 010-203800

PRODUCT DESCRIPTION: The COAL-25-FO provides collimated illumination in the same optical path as the camera. The COAL is designed for applications requiring co-axial bright light. Requires fiberoptic light source and light guide.

ILLUMINATION:

Lighting Technique: Collimated On-Axis
Source Type: Fiber Optic
Spectrum: Dependent upon source
Light Delivery: Direct
Light Aperture: 25 mm x 25 mm (1 in. x 1 in.)
Suggested Field Of View: 12 mm (0.5 in.)
Suggested Stand-Off: 12 mm (0.5 in.)

MECHANICAL:

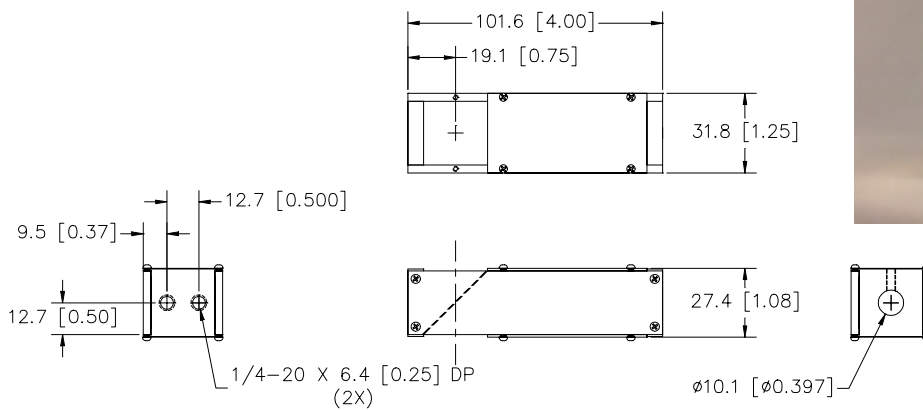
L x W x H: 101.6 mm x 31.8 mm x 27.4 mm
(4.00 in. x 1.25 in. x 1.08 in.)
Mounting: (2) ¼-20
Housing Material: Black Anodized Aluminum
Weight: 82 grams (3 oz.)
Accepts Ferrule Ø: 0.393 1 Leg Bundle

ENVIRONMENTAL:

Max. Operating Humidity: 95% non-condensing
Operating Temp.: 40°C (104°F)
Storage Temp.: 50°C (122°F)

ACCESSORIES:

Part Number	Description
238-000500	LG-1, Single bundle light guide
238-001000	CS-1, AC Light source
238-001100	CS-2, DC Regulated light source



Products are protected under US Patent #s; 5,461,417; 5,187,611;
5,539,485; 5,301,402; 5,604,550; 5,684,530; 5,713,661

NER Document: CU-010-203800 - Revised: 03/30/00