

The **DF-100-1 Series** provides low-angle illumination to the region of interest. The unit uses a single tier of LEDs mounted 90° to the optical axis. The light enhances the contrast of surface features such as laser, embossed or engraved marks or surface defects. The light is particularly suited for applications such as BGA ball placement, laser-etched symbologies and surfaces with geometric contours.



MODEL #	DESCRIPTION
010-601501	DF-100-1, R LED-D, 12V-C
010-601502	DF-100-1, R LED-D, 24V-S

Description Key

Example: Dx-xxx-x, R LED-D, 12V-C

Family Designation:	Color:	Source:	Voltage (DC):
DF = Dark Field Ring	R = Red	FO = Fiber Optic	C = Continuous
DLA = Dual Line Array	W = White	FL = Fluorescent	S = Strobe
Ring Dia. - LED Tiers (DFs)	B = Blue	LED = Light Emitting Diode	Delivery:
Approx. Aperture (DLA's)	G = Green		D = Diffused
	I = Infrared		ND = Non-Diffused
	U = Ultraviolet		F = Focussed

ILLUMINATION & ELECTRICAL:

Lighting Technique: Dark-field
Light Delivery: 1 tier, 90 deg.
Light Aperture: 100.1 mm (3.94 in.)
Field Of View x Stand-Off ¹: 50.8 mm (2 in.) x 12.7 mm (0.5 in.)
Light Characteristics:

Source	Color (nm)	Exp. Life	Voltage/Current (max.)	
			12V-C	24V-S
LED	Red (636)	60k hrs.	300 mA	2.4 A pk., 1 msec pulse @ 60Mz, max.

¹Suggested

CE Conformity: Pending

MECHANICAL:

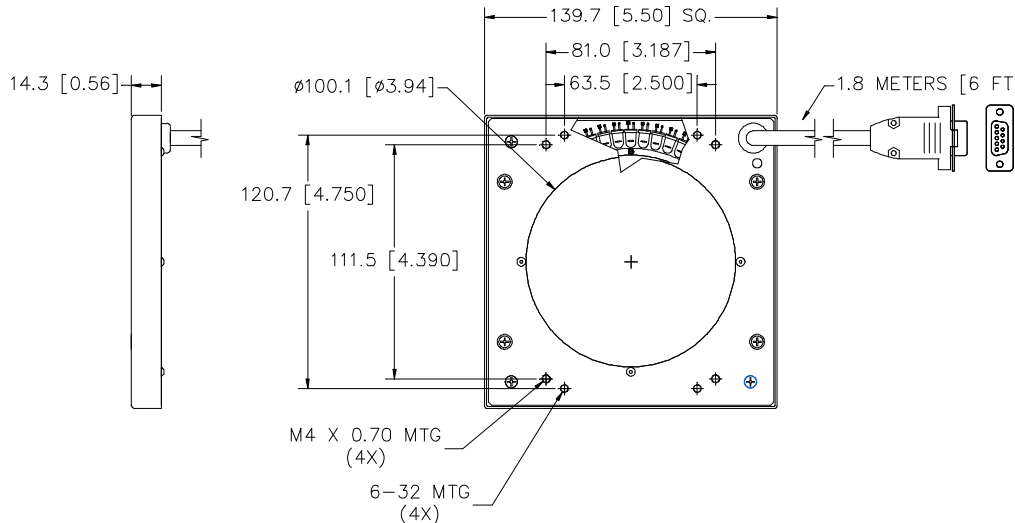
L x W x H (mm/in.): 139.7 mm x 139.7 mm x 14.3 mm
 (5.50 in. x 5.50 in. x 0.56 in.)
Mounting: (4) M4 + (4) 6-32 on top of unit
Housing Material: Black Anodized Aluminum
Weight: 256 grams (0.6 lbs.)

ENVIRONMENTAL:

Max. Operating Humidity: 95% non-condensing
Operating Temp.: 40° C (104° F)
Storage Temp.: 50° C (122° F)

ACCESSORIES:

Part #	Description	Models Used On
010-901900	SCM, 2 Channel M Strobe Control	24V-S
010-502702	SCM-1, 1 Channel M/D Strobe Control	24V-S
010-501402	CPS-24, 24VDC, US cord	24V-S
010-501401	CPS-24, 24VDC, EU cord	24V-S
010-500301	CPS-12, 3.5A, 12VDC, US Cord	12V-C
010-500303	CPS-12, 3.5A, 12VDC, EU Cord	12V-C
010-502700	ICM-1, M/D, 12V-C	12V-C
010-501200	VPS, Variable, US Cord	12V-C
010-501201	VPS-EU, Variable, EU Cord	12V-C
030-003700	Ext. Cable, Cont., 1.8 M (6 ft.)	12V-C
030-003701	Ext. Cable, Cont., 3.0 M (10 ft.)	12V-C
030-007006	Ext. Cable, Strobe, 1.8 M (6 ft.)	24V-S
030-007010	Ext. Cable, Strobe, 3.0 M (10 ft.)	24V-S
030-006900	Y cable, 2 Lights, 9 pin D-sub Strb.	24V-S
030-003600	Y cable, 2 Lights, 9 pin D-sub Cont.	12V-C



CABLES/CONNECTORS:

	Connector	Length	Pin#	1	2	3	4	5	6	7	8	9
12V-C Models	9 pin D-sub Male	1.8 M (6 ft.)		n/a	n/a	GND	+12VDC	n/a	n/a	n/a	n/a	n/a
24V-S Models	9 pin D-sub Male	1.8 M (6 ft.)		GND	n/a	n/a	+24VDC	n/a	n/a	n/a	n/a	n/a



Products are protected under US Patent #s:
 5,461,417; 5,187,611; 5,539,485; 5,301,402;
 5,604,550; 5,684,530; 5,713,661

All RVSI/NER Products come with an Industry-Leading 2-Year Warranty