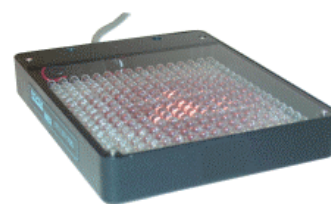


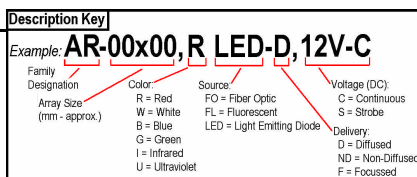
NERLITE®

AR-75 Series Area Array Illuminators

AR-75 Series Area Array Illuminators are designed for non-specular surface lighting in applications that demand economical solutions. All AR-75 Series modules employ non-diffused, square arrays of LEDs measuring approximately 75 mm per side, providing high output (HO) light from a specific direction onto the field of view. Using a new approach in thermal management technology for LED illumination, the AR-75 Series is able to support large LED arrays operating at temperature levels that guarantee long life. AR-75 Series modules may be used as dark-field (creating shadows and specular reflection) or as bright-field for diffused surfaces.



MODEL #	DESCRIPTION
010-652151	AR-75x75, R LED-ND, 12V-C
010-903401	AR-75x75, R LED-ND, 24V-C, 9-pin D-sub
010-652171	AR-75x75, R LED-ND, 24V-S
010-652153	AR-75x75, W LED-ND, 12V-C
010-903501	AR-75x75, W LED-ND, 24V-C, 9-pin D-sub
010-652173	AR-75x75, W LED-ND, 24V-S
010-652155	AR-75x75, B LED-ND, 12V-C
010-903601	AR-75x75, B LED-ND, 24V-C, 9-pin D-sub
010-652175	AR-75x75, B LED-ND, 24V-S
010-904001	AR-75x75, I LED-ND, 12V-C
010-904003	AR-75x75, I LED-ND, 24V-C, 9-pin D-sub
010-904005	AR-75x75, I LED-ND, 24V-S, 940 nm
010-904006	AR-75x75, I LED-ND, 24V-S, 880 nm



ILLUMINATION & ELECTRICAL:

Lighting Technique: Dark-field or Bright-field
Light Output Area: 73.0 mm x 73.0 mm (2.88 in. x 2.88 in.)

Light Characteristics:

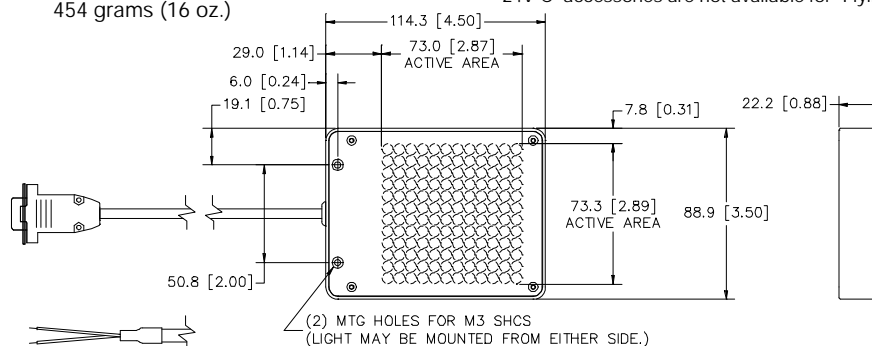
Source	Color (nm)	Exp. Life	Voltage/Current (max.)		
			12V-C	24V-C	24V-S
LED	Red (636)	60k hrs.	552 mA	420 mA	6.0 A pk.
LED	White - 6500 Kelvin	10k hrs.	530 mA	265 mA	9.6 A pk.
LED	Blue (470)	10k hrs.	530 mA	tbd	9.6 A pk.
LED	IR (940)	50k hrs.	456 mA	240 mA	5.04 A pk.
LED	IR (880)	50k hrs.	n/a	n/a	5.04 A pk.

CE Conformity: Yes

MECHANICAL:

L x W x H (mm/in.): 114.3 x 88.9 x 22.2 / 4.5 x 3.5 x 0.88

Mounting: (2) M3 SHCS holes
Housing Material: Black Anodized Aluminum
Weight: 454 grams (16 oz.)



CABLES/CONNECTORS:

	Connector	Length	Pin#	1	2	3	4	5	6	7	8	9
12V-C Models	9 pin D-sub Male	1.8 M (6 ft.)		n/a	n/a	GND	+12VDC	n/a	n/a	n/a	n/a	n/a
24V-S Models	9 pin D-sub Male	1.8 M (6 ft.)		V-	n/a	n/a	+24VDC	n/a	n/a	n/a	n/a	n/a
24V-C Models ¹	9 pin D-sub Male ¹	1.8 M (6 ft.) ¹		n/a	n/a	n/a	n/a	n/a	n/a	+24VDC	n/a	GND

¹Note: 24V-C Models w/"Flying Leads" have a 4.5 M (15 ft.) cable with two (2) tinned leads and no connector; leads are labeled GND and V+ (+24VDC)



Products are protected under US Patent #s:
 5,461,417; 5,187,611; 5,539,485; 5,301,402;
 5,604,550; 5,684,530; 5,713,661

All RVS I/NER Products come with an Industry-Leading 2-Year Warranty

RVS I/NER

15 Twin Bridge Road, Weare, NH 03281 USA

Tel: 603-529-2385

FAX: 603-529-2405

www.nerlite.com