

The BL-50x200-HO Series are high output backlights providing bright, diffuse illumination in a rectangular array.



MODEL #	DESCRIPTION
010-650000	BL-50X200-HO, R LED-D, 12V-C
010-650001	BL-50X200-HO, R LED-D, 24V-S
010-650007	BL-50X200-HO, R LED-D, 24V-C
010-650008	BL-50X200-HO, W LED-D, 12V-C
010-650010	BL-50X200-HO, W LED-D, 24V-S

Description Key

Example: **BL-00x00, R LED-D, 12V-C**

- Family Designation: BL-00x00
- Backlight Size (mm - approx.): 00x00
- Color: R = Red, W = White, B = Blue, G = Green, I = Infrared, U = Ultraviolet
- Source: FO = Fiber Optic, FL = Fluorescent, LED = Light Emitting Diode
- Voltage (DC): C = Continuous, S = Strobe
- Delivery: D = Diffused, ND = Non-Diffused, F = Focussed

ILLUMINATION & ELECTRICAL:

Lighting Technique: Backlight
Active Area: 51mm x 203 mm (2 in. x 8 in.)
Light Characteristics:

Source	Color (nm)	Exp. Life	Voltage/Current (max.)		
			12V-C	24V-C	24V-S
LED	Red (636)	60k hrs.	1.6 A	0.8 A	13.0 A pk.
LED	White - 6500 Kelvin	10k hrs.	1.86 A	n/a	17.6 A pk.

CE Conformity: Yes

MECHANICAL:

L x W x H (mm/in.): 228.6 mm x 59.9 mm x 50.8 mm (9.00 in. x 2.36 in. x 2.00 in.)
Mounting: (4) 1/4-20 on bottom of unit
Housing Material: Black Anodized Aluminum
Weight: 567 grams (1.25 lbs.)

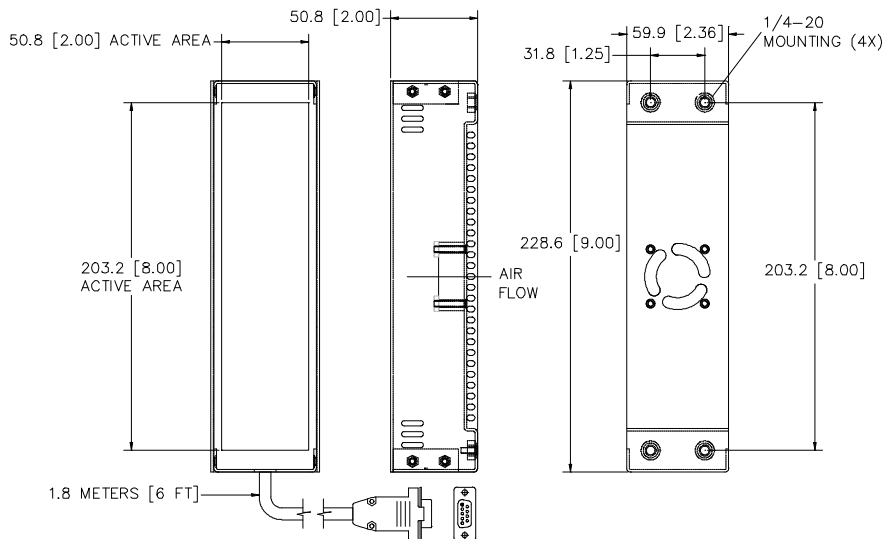
ENVIRONMENTAL:

Max. Operating Humidity: 95% non-condensing
Operating Temp. 40° C (104° F)
Storage Temp. 50° C (122° F)

ACCESSORIES:

Part #	Description	Models Used On
010-901900	SCM-2 Channel Strobe Control	24V-S
010-501402	CPS-24, 24VDC, US cord	24V-S ¹
010-501401	CPS-24, 24VDC, EU cord	24V-S ¹
010-502601	CPS-24T, 24VDC US w/9-pin D-sub	24V-C & 24V-S ¹
010-502602	CPS-24T, 24VDC EU w/9-pin D-sub	24V-C & 24V-S ¹
010-500301	CPS-12 3.5A, 12VDC, US Cord	12V-C
010-500303	CPS-12 3.5A, 12VDC, EU Cord	12V-C
010-502700	ICM-1, M/D Intensity Cntrl, 12V-C	12V-C
010-502701	ICM-1, M/D Intensity Cntrl, 24V-C	24V-C
010-501200	VPS, Variable, US Cord	12V-C
010-501201	VPS-EU, Variable, EU Cord	12V-C
030-003700	Ext. Cable, Cont., 1.8 M (6 ft.)	12V-C
030-003701	Ext. Cable, Cont., 3.0 M (10 ft.)	12V-C
030-007006	Ext. Cable, Strobe, 1.8 M (6 ft.)	24V-S
030-007010	Ext. Cable, Strobe, 3.0 M (10 ft.)	24V-S
030-006900	Y cable, 2 Lights, 9 pin D-sub Strb.	24V-S
030-003600	Y cable, 2 Lights, 9 pin D-sub Cont.	12V-C

¹ 010-50140x used only with 010-901900;
 010-50260x used with either 010-502702 or 24V-C lights with DB-9 connectors



CABLES/CONNECTORS:

	Connector	Length	Pin#	1	2	3	4	5	6	7	8	9
12V-C Models	9 pin D-sub Male	1.8 M (6 ft.)		+12VDC (Fan)	GND (Fan)	GND	+12VDC	n/a	n/a	n/a	n/a	n/a
24V-C Models	9 pin D-sub Male	2.0 M (6.6 ft.)		V+ (Fan)	GND (Fan)	n/a	n/a	n/a	+24VDC	n/a	GND	n/a
24V-S Models	9 pin D-sub Male	1.8 M (6 ft.)		V-	n/a	n/a	+24VDC	+24VDC	V-	n/a	n/a	n/a



Products are protected under US Patent #s:
 5,461,417; 5,187,611; 5,539,485; 5,301,402;
 5,604,550; 5,684,530; 5,713,661

All RVSI/NER Products come with an Industry-Leading 2-Year Warranty